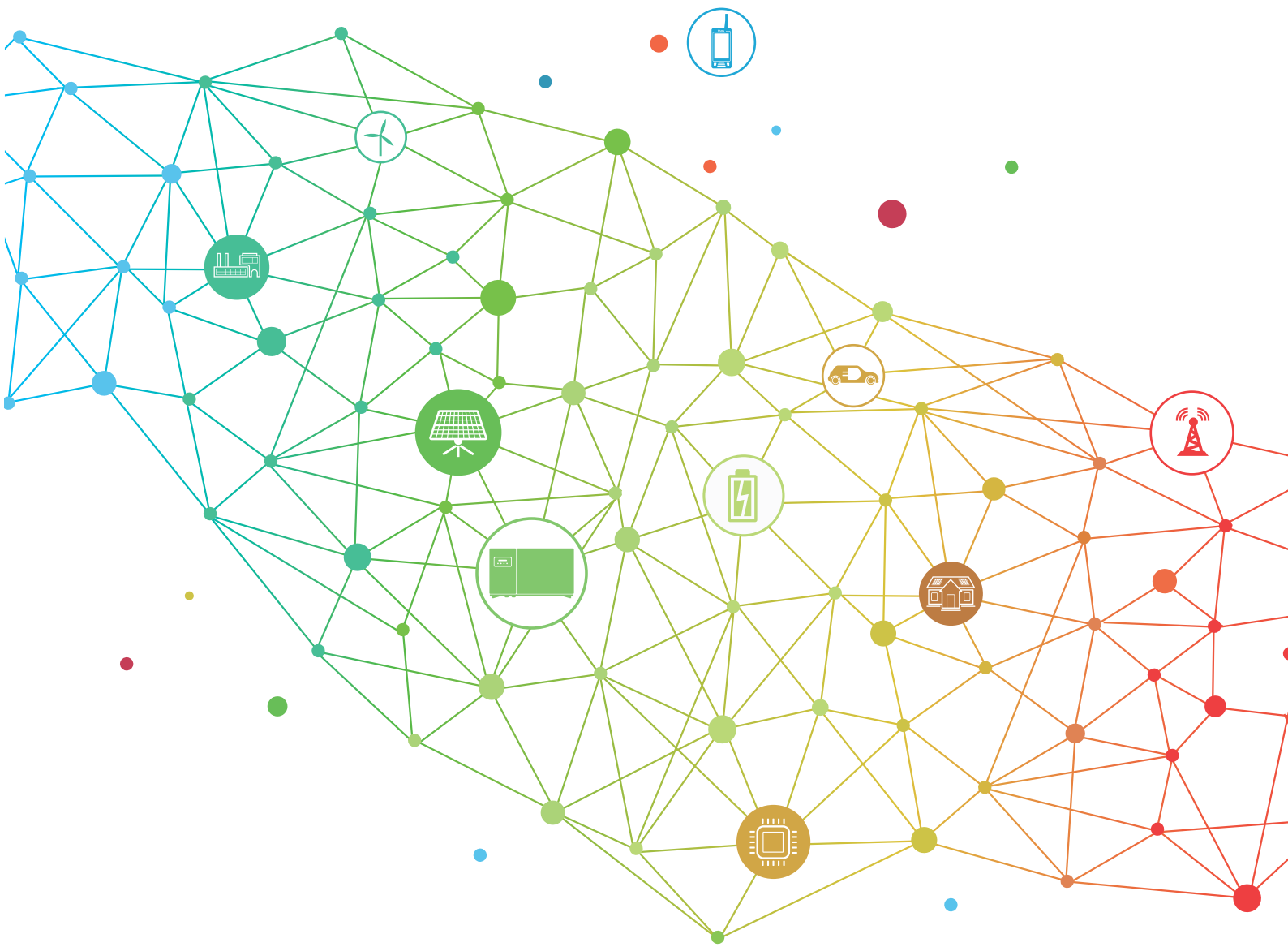


Smarter Energy for a Better Life



Huawei FusionHome Smart Energy Solution





reddot award 2016
winner

Higher Revenue

- High efficiency inverter topology, Max. Efficiency 98.6%, European Efficiency 98.0%

Simple & Easy

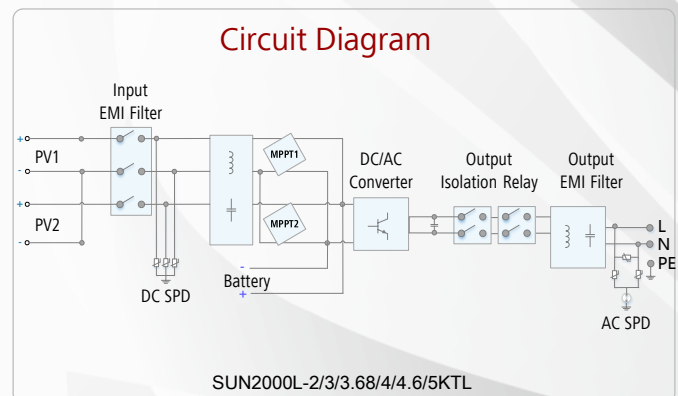
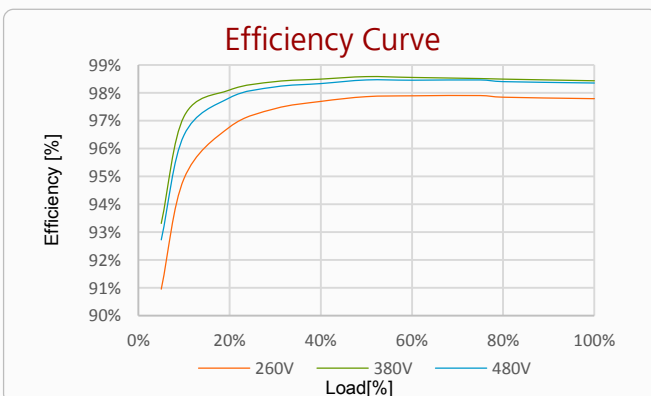
- 10.6kg, allows one person simple installation
- Optimized AC connector for quick wiring
- Supports one-click inverter configuration

Battery Ready

- Integrated energy storage interface

Safe & Reliable

- IP65, Natural cooling
- Integrated lightning protection for both DC and AC



SUN2000L-2/3/3.68/4/4.6/5KTL

Technical Specification	SUN2000L-2KTL	SUN2000L-3KTL	SUN2000L-3.68KTL	SUN2000L-4KTL	SUN2000L-4.6KTL	SUN2000L-5KTL
Efficiency						
Max. efficiency	98.4%	98.5 %	98.5 %	98.6 %	98.6 %	98.6 %
European weighted efficiency	97.0 %	97.6 %	97.8%	97.9 %	98 %	98 %
Input						
Recommended max. PV power	2660 Wp	3990 Wp	4968 Wp	5400 Wp	6210 Wp	6750 Wp
Max. input voltage	600 V					
Operating voltage range ¹	90 V~ 600 V					
Start-up voltage	120 V					
Full power MPPT voltage range	120V~480 V	160 V~480 V	190 V~480 V	210 V~480 V	260 V~480 V	260 V~480 V
Rated input voltage	380 V					
Max. input current per MPPT	11 A					
Number of MPP trackers	2					
Max. number of inputs per MPPT	1					
Output						
Rated output power	2000 W	3000 W	3680 W	4000 W	4600 W	5000 W ²
Maximum apparent power	2200 VA	3300 VA	3680 VA	4400 VA	5000 VA ³	5500 VA ⁴
Rated output voltage	220 V / 230 V / 240 V					
Rated AC grid frequency	50 Hz / 60 Hz					
Maximum output current	10 A	15 A	16 A	20 A	23 A ⁵	25 A ⁵
Adjustable power factor	0.8 leading ... 0.8 lagging					
Max. total harmonic distortion	≤ 3 %					
Protection						
Anti-Islanding protection	Yes					
DC reverse polarity protection	Yes					
Insulation monitoring	Yes					
DC lightening protection	Yes					
AC lightening protection	Yes					
Residual current monitoring	Yes					
AC overcurrent protection	Yes					
AC short-circuit protection	Yes					
AC over-voltage protection	Yes					
Over-heat protection	Yes					
General Data						
Operating temperature range	-30 ~ +60 °C (Derating above 45°C @ Rated output power)					
Relative operating humidity	0 %RH ~ 100 %RH					
Operating altitude	0-4000 m (Derating above 2000m)					
Cooling	Natural Convection					
Display	LED Indicators					
Communication	RS485, WLAN					
Weight (incl. mounting bracket)	10.6 kg					
Dimension (incl. mounting bracket)	375X375X161.5 mm					
Degree of protection	IP65					
Battery Compatibility						
Battery	LG Chem RESU 7H_R / 10H_R					
Voltage range	350~450 Vdc					
Max. current	10 A					
Communication	RS485					
Standards Compliance						
Safety	EN/IEC 62109-1, EN/IEC 62109-2					
Grid connection standards	G83/2, G59/3, EN 50438, CEI 0-21, VDE-AR-N-4105, UTE C 15-712-1, AS 4777					

*1. Only applicable for PV string. The maximum input voltage and operating voltage upper limit will be reduced to 495 V when inverter connects and works with battery.

*2. AS4777:4990W. *3. VDE-AR-N 4105:4600VA / AS4777:4990VA. *4. AS4777:4990VA. *5. AS4777:21.7A.

The text and figures reflect the current technical state at the time of printing. Subject to technical changes. Errors and omissions excepted. Huawei assumes no liability for mistakes or printing errors. For more information, please visit solar.huawei.com. Version No.:04-(2017)1207



Higher Revenue

- Max. efficiency 99.5%, weighted efficiency 99.0%
- Allows more panels on each roof to achieve higher system yields

Simple & Easy

- Supports installation in shade prone areas and in different directions
- Quick frame mount at warehouse, less rooftop installation time
- Supports remote module-level monitoring

Safe & Reliable

- IP68, support outdoor application
- Communication through DC Power Line Communication
- Single module shutdown capability to secure people and assets safety

Technical Specification	SUN2000P-375W
	Input
Rated input power	375 W
Absolute maximum input voltage	80 V
MPPT operating voltage range	10-80 V
Max. input current	12 A
Max. efficiency	99.5 %
Weighted efficiency	99 %
Overvoltage category	II
	Output
Max. output voltage	80 V
Max. output current	15 A
Output bypass	Yes
	Standard Compliance
Safety	IEC62109-1 (class II safety)
RoHS	Yes
	General Specification
Maximum allowed system voltage	1000 V
Communication	PLC
Dimensions (W x L x H)	125*85*25.5 mm
Weight (including cables)	0.7 kg
Installation Part	PV module frame / Aluminum extrusion profile Optional
Input connector	MC4
Output connector	MC4
Output wire length	47 in / 1.2 m
Operating temperature/humidity range	-40 to 85 °C / 0-100 %
Protection rating	IP68
	PV System Design Using A SUN2000L Inverter
Minimum String Length	According to inverter design rules & PV module datasheet
Maximum String Length	
Maximum Power per String	

Smart PV Safety Box (Preliminary Version)



Simple & Easy

- Communicate with optimizers through Power Line communication
- Support module-level real time monitoring & management

Safe & Reliable

- Single module shutdown capability to secure people and assets safety
- IP65, support outdoor application

Technical Specification	SmartPSB2000L
DC Input	
Maximum input voltage	1100 V
Number of inputs	2
Maximum input current per input	15 A
DC Output	
Maximum output voltage	1100 V
Number of outputs	2
Maximum output current per output	15 A
Features	
Module-level remote management	Yes
Onsite master module shutdown	Yes
Remote auto module shutdown	Yes
General Specification	
Dimensions (H x W x D)	148 x 148 x 38 mm
Weight	3 kg
Display	LED
Communication	PLC, RS485
Input type	HH4
Operating temperature range	-30 to 60 °C
Protection rating	IP65

The text and figures reflect the current technical state at the time of printing. Subject to technical changes. Errors and omissions excepted. Huawei assumes no liability for mistakes or printing errors. For more information, please visit solar.huawei.com. Version No.:02-(20171026)



Smart

- Easy data access on mobile devices
- Proactive reports of yields and alarms

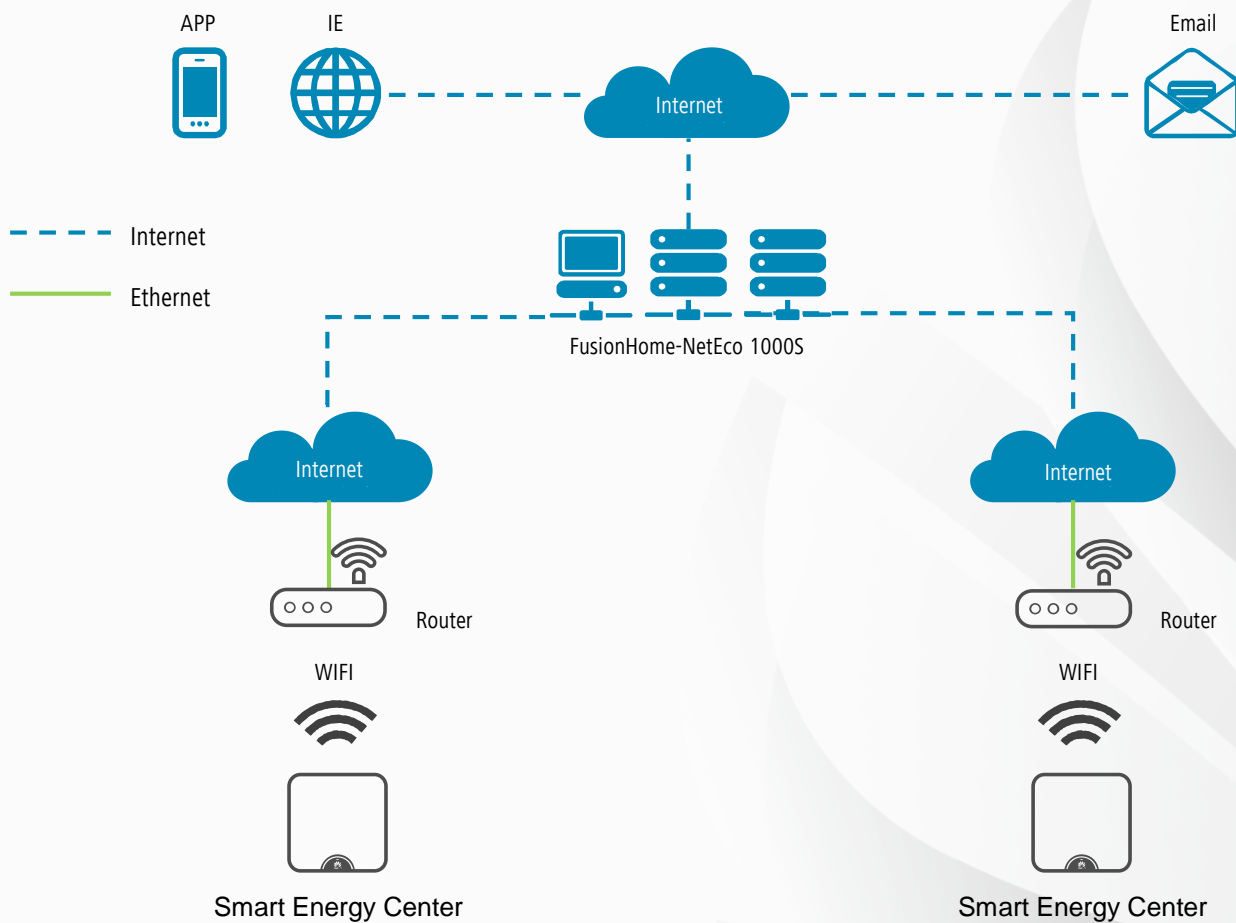
Simple

- Easy & simple to get started
- Fault alarms via E-mail

Stable

- Centralized management on all PV systems
- Up to 20 years data storage

Network Structure





Function	Submenu	Description
Monitor	Details	<ul style="list-style-type: none"> • Browse detailed and real-time device information. • including alarms, key performance indicators and device status. • Support remote on & off inverter control.
	Alarm	<ul style="list-style-type: none"> • Collect, store, browse current alarms.
	Device List / Plant List	<ul style="list-style-type: none"> • Show Device / Plant information and real-time status.
	Setting	<ul style="list-style-type: none"> • Setting device parameters, like device information, Time Zone, Communication parameter, etc.
Historical Data	Alarm log	<ul style="list-style-type: none"> • History alarms can be inquired according to the time and severity.
	Performance data	<ul style="list-style-type: none"> • Query plant and device daily / monthly / yearly power.
Maintenance	Device Maintenance	<ul style="list-style-type: none"> • Browse the device operation log. • Support device inspection & management. • Support batch modification on device name.
System	User Management	<ul style="list-style-type: none"> • According to different users, FusionHome-NetEco provides different log on authorities. • Create users.
	Remote Notifications of Alarms and Reports	<ul style="list-style-type: none"> • Through setting on the server and sending rules, the alarms and yield reports could be sent to user's email automatically



Copyright © Huawei Technologies Co., Ltd.2018. All rights reserved.

No part of this document may be reproduced or transmitted in any form or by any means without prior written consent of Huawei Technologies Co., Ltd.

Trademark Notice

 , HUAWEI and  are trademarks or registered remarks of Huawei Technologies Co., Ltd. Other trademarks, product service and company names mentioned are the property of their respective owners.

General Disclaimer

The information in this document may contain predictive statements including, without limitation, statements regarding the future financial and operating results, future product portfolio, new technology, etc. There are a number of factors that could cause actual results and developments to differ materially from those expressed or implied in the predictive statements. Therefore, such information is provided for reference purpose only and constitutes neither an offer nor an acceptance. Huawei may change the information at any time without notice.

HUAWEI TECHNOLOGIES Dusseldorf GmbH

Südwestpark 60 4.0G,90449 Nürnberg,Germany

Tel:49 911 255 22 3053

Fax:49 911 255 22 3090

info.energyeu@huawei.com

HUAWEI TECHNOLOGIES CO.,LTD

Huawei Industrial Base

Bantian Longgang

Shenzhen 518129,P.R.China

Tel.:400-822-9999

Version No.:04-(20171220)

solar.huawei.com