



MANUAL DE UTILIZARE / USER'S MANUAL

**CIOCAN DEMOLATOR / DEMOLITION HAMMER
DH 1100 EPTO**



www.honest.ro

Va multumim pentru achizitionarea acestui produs EVOTOOLS, fabricat conform celor mai inalte standarde de siguranta si de functionare.



Avertizare! Pentru siguranta dumneavoastra cititi cu atentie acest manual si instructiunile generale de siguranta inaintea utilizarii echipamentului. Nerespectarea acestor reguli poate avea ca rezultat producerea electrocutarilor, a incendiilor si/sau a ranirilor personale.

Simboluri

Simbolurile utilizate in manual sau pe produs au urmatoarele semnificatii:

	Atentie!		Purtati protectii antifonice
	Cititi manualul de utilizare		Purtati ochelari de protectie
	Produsul este in conformitate cu standardele de siguranta ale Directivelor Europene		Izolatie dubla

Masuri de siguranta generale pentru uneltele electrice

Zona de lucru

- Pastrati zona de lucru curata si bine iluminata. Umiditatea si zonele intunecate pot crea accidente
- Nu utilizati unealta in zonele cu potential exploziv, de exemplu in prezenta lichidelor, gazelor sau particulelor inflamabile. Uneltele electrice genereaza scantei care pot aprinde aceste materiale.
- Nu lasati copii sau persoanele neautorizate in zona de lucru. Distragerea atentiei poate cauza pierderea controlului uneltei.

Masuri de siguranta a echipamentului in exploatare



ATENTIE! Verificati intotdeauna ca tensiunea de alimentare sa corespunda cu cea inscrisa pe placuta uneltei.

- Nu rasuciti cablul electric de alimentare al uneltei
- Nu transportati unealta tinand-o de cablul electric si nu trageti de cablul electric pentru a o scoate din priza.
- Tineti cablul electric de alimentare a masinii la distanta fata de sursele de caldura, de pete de ulei, de grasimi, de obiectele ascutite si sursele care emana caldura.
- Verificati stecherul si cablul electric in mod regulat si in caz de deteriorare a acestora apelati la un electrician autorizat.
- Evitati pornirile accidentale ale uneltei. Asigurati-va ca intrerupatorul este in pozitia "Oprit" inainte de introducerea cablului de alimentare in priza.
- Nu utilizati unealta in conditii de ploaie sau umiditate excesiva. Patrunderea apei in interiorul uneltei creste riscul unui scurtcircuit.
- Pentru utilizare in aer liber, folositi cabluri de prelungire care sunt atestate si marcate in mod

corespunzator pentru utilizarea in mediul exterior.

- Nu suprasolicitati unealta electrica! Masina poate fi folosita in conditii de siguranta daca sunt respectati parametrii de exploatare care o caracterizeaza. Nu utilizati unelte electrice cu un alt scop fata de cel pentru care sunt destinate.

Masuri de siguranta personala

- Intotdeauna utilizati o imbracaminte adecvata. Nu purtati haine largi sau bijuterii. Daca aveti parul lung, acesta trebuie legat. Apare riscul prinderii acestora de catre partile componente ale masinii aflate in miscare.
- Utilizati intotdeauna ochelari de protectie iar atunci cand lucrati in mediul exterior va recomandam sa utilizati manusi si bocanci de protectie.
- Intotdeauna folositi o masca de praf atunci cand in procesul de daltauire se produce praf.
- Daca exista posibilitatea de instalare a dispozitivelor de evacuare a prafului atunci asigurati-va ca acestea sunt conectate si utilizate corect.

Service

- Repararea trebuie realizata numai de catre personal autorizat prin inlocuirea cu accesorii si piese de schimb originale pentru a se evita producerea accidentelor datorate reparatiilor necorespunzatoare.

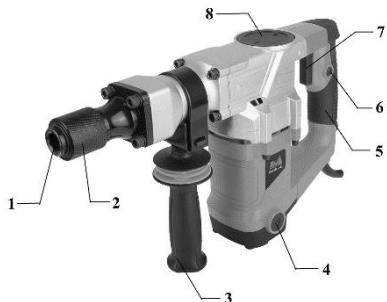
Masuri de siguranta specifice ciocanului demolator.

- Pentru evitarea pierderii auzului, purtati echipament de protectie adecvat.
- Intotdeauna utilizati manerul auxiliar pentru un maximum de control
- Tineti unealta numai de partile izolate, la efectuarea unei operatii in care accesorii de lucru poate intra in contact cu cabluri ascunse sau cu propriul cablu de alimentare.
- In conditii de temperatura scazuta sau daca echipamentul nu a fost utilizat o perioada mai indelungata, lasati-l sa se incalzeasca un timp prin functionarea in gol. Aceasta va facilita lubrifierea pentru o functionare corecta.
- Nu atingeti accesoriile dupa terminarea operatiunii deoarece pot fi puternic incalzite
- Ciocanul demolator este dublu izolat. Aceasta inseamna ca este prevazut cu doua tipuri complet independente de izolatii care impiedica operatorul sa intre in contact direct cu partile metalice ale cablurilor. Aceasta masura reprezinta un grad ridicat de protectie impotriva electrocutarilor.

Domeniu de utilizare: Ciocanul demolator este destinat uzului personal pentru operatiile de daltauire a diverselor materiale: zidarie, beton, piatra, asfalt precum si lucrarilor de compactare utilizand accesoriile adecvate. **NU ESTE PROIECTAT PENTRU UZ INDUSTRIAL.**

Parti componente:

1. Mandrina HEX 17
2. Blocator dalta
3. Maner auxiliar
4. Acces perii colectoare
5. Maner principal
6. Buton functionare continua
7. Comutator ON/OFF
8. Acces gresare



Pregatirea pentru punerea in functiune



ATENTIE ! Deconectati alimentarea cu energie electrica inaintea inceperii oricarei operatiuni de reglare sau intretinere

Montarea manerului auxiliar

Din motive de siguranta utilizati unealta doar impreuna cu manerul auxiliar (3). Acesta va ofera un control suplimentar al sprijinului si ghidarii uneltei electrice.

Introducerea accesoriilor cu prindere HEX 17

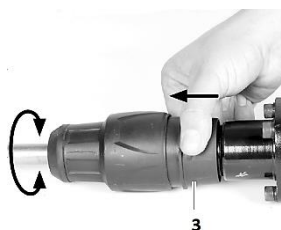
- Curatati regulat capatul de introducere al accesoriului si gresati-l usor.
- Introduceti accesoriul in mandrina (1) cu portiunea tesita in sus. Verificati prinderea.

Demontarea accesoriilor cu prindere HEX 17

- Impingeti spre spate mansorul de blocare al mandrinei (2) si extrageti accesoriul

Blocare dalta

- Apasati mansorul de blocare (2), dupa care orientati in pozitia dorita dalta.
- Pentru blocarea daltii eliberati dispozitivul.



Utilizare



ATENTIE! IN CAZUL IN CARE APAR ZGOMOTE ANORMALE IN FUNCTIONARE OPRIȚI IMEDIAT UNEALTA SI ADRESATI-VA UNUI SERVICE AUTORIZAT PENTRU CONSTATARI SI REPARATII.

Pornire /oprire

Pentru pornirea uneltei apasati comutatorul (7). Pentru oprire eliberati comutatorul (7).

Functionare continua:

Apasati simultan comutatorul (7) si butonul de functionare continua (6).

De retinut: pentru obtinerea unor rezultate cat mai bune, utilizati numai dalti ascutite.

Curatare si intretinere



ATENTIE! Inainte de orice interventie asupra echipamentului, deconectati alimentarea cu energie electrica de la retea.

Curatare

- Pastrati curate fantele de ventilatie ale carcasei pentru a preveni supraincalzirea motorului
- Regulat, de preferat dupa fiecare utilizare curatati echipamentul cu o carpa moale. Daca murdaria persista, utilizati o carpa umezita intr-o solutie de apa si sapun
- NU utilizati solventi (ca de exemplu : petrol si derivati, alcool) intrucât acestia pot deteriora partile din plastic.

Intretinere

Echipamentul nostru a fost proiectat astfel incat sa poata fi utilizat pentru o perioada indelungata cu un minimum de intretinere. Veti putea obtine intotdeauna o satisfactie maxima in timpul utilizarii respectand indicatiile de mai sus.

Date tehnice

Tensiune / Frecventa	230V ~ 50Hz
Putere nominala	1100W
Lovituri / min	3900
Clasa de siguranta	II
Energie maxima percutie	15 J
Nivel de zgomot	105dB(A)
Nivel vibratii	15,914 m/s ²
Greutate neta	6,3 kg

Depozitare

- Intotdeauna inainte de depozitarea masinii de gaurit cu percutie curatati carcasa ei cu o carpa putin umezita in apa cu sapun.
- Depozitati unealta electrica intr-un spatiu inaccesibil copiilor intr-o pozitie stabila si sigura intr-un loc racoros si uscat, evitand temperaturile prea ridicate sau scazute.
- Protejati unealta electrica fata de actiunea directa a razelor solare si pastrati-o intr-un loc intunecos, daca este posibil.
- Nu pastrati masina ambalata in folie sau in punga de plastic pentru a evita acumularea umiditatii.

Garantie

Garantia acopera toate materialele componente si vicile de fabricatie cu exceptia, fara insa a fi limitate la:

- Baterii, incarcatoare, componente uzate ca urmare a unei exploatare normale (perii colectoare, rulmenti, cabluri, etc) sau accesorii (dalti etc..),
- Defecte cauzate de o exploatare, intretinere si depozitare necorespunzatoare, modificari neautorizate asupra echipamentului, costul transportului.
- Pagube materiale si leziuni corporale rezultate in urma exploatarei necorespunzatoare a echipamentului.
- Deteriorari cauzate de lichide, patrundere excesiva de praf, distrugere intentionata , utilizare inadecvata (pentru scopuri in care acest echipament nu este proiectat), etc..

Thank you for buying this EVOTOOLS product, manufactured according to the highest safety and performance standards



WARNING! For your own safety, read this manual and the general safety instructions carefully before using the appliance. Your power tool should only be given to other users together with these instructions.

Symbols

In this manual and/or on the machine the following symbols are used:

	Warning / Danger!		Wear ear protection.
	Read manual before use.		Wear eye protection.
	In accordance with essential applicable safety standards of European directives		Double insulated.

General power tools safety warnings

Working area

- Keep working area clean and well lit. Untidy and dark areas can lead to accidents.
- Do not operate power tools in potentially explosive surroundings, for example, in the presence of inflammable liquids, gases or dust. Power tools create sparks which may ignite the dust or fumes.
- Keep children and bystanders at a distance when operating a power tool. Distractions can cause you to lose control of it.

Electrical safety



Always check that the power supply corresponds to the voltage on the rating plate.

- Do not expose power tools to rain or wet conditions. Water entering a power tool will increase the risk of electric shock.
- Do not abuse the cord. Never use the cord for carrying, pulling or unplugging the power tool. Keep cord away from heat, oil, sharp edges or moving parts. Damaged or entangled cords increase the risk of electric shock.
- When operating a power tool outdoors, use an extension cord suitable for outdoor use. Use of a cord suitable for outdoor use reduces the risk of electric shock.

Personal safety

- Use safety equipment. Always wear eye protection. Using safety equipment such as a dust mask, non-skid safety shoes, a hard hat, or hearing protection whenever it is needed will reduce the risk of personal injury.

- Avoid accidental starts. Ensure the switch is in the off position before inserting the plug. Carrying power tools with your finger on the switch or plugging in power tools when the switch is in the on position makes accidents more likely.
- Dress properly. Do not wear loose clothing or jewellery. Keep your hair, clothing and gloves away from the power tool. Loose clothes, jewellery or long hair can become entangled in the moving parts.

Service

Your power tool should be serviced by a qualified specialist using only standard spare parts. This will ensure that it meets the required safety standards.

Specific safety instructions for rotary hammer

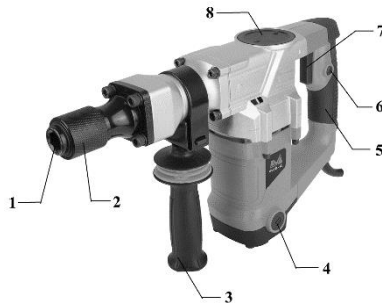
- To prevent hearing loss, wear suitable protective equipment.
- Always use the auxiliary handle for maximum control.
- Hold the tool only from insulated parts, to avoid electrical shock when accidentally contact with hidden wiring or its own cord occur.
- In cold weather conditions or if the equipment has not been used for a longer period, let it warm up for a while by operating at idling speed .This facilitate a good lubrication for proper operation.
- Do not touch accessory after finishing the operation as may be heavily heated
- Demolition Hammer is double insulated. This means it has two completely independent types of insulation that prevents the operator to come into direct contact with the metal cables. This measure is a high degree of protection against electric shock.

Application

The demolition hammer is intended for personal use for chiselling of : masonry, concrete, stone, asphalt.. **IT IS NOT DESIGNED FOR PROFESSIONAL USE.**

Description

1. Chuck HEX 17
2. Chisel lock/unlock
3. Additional handle
4. Access to carbon brushes
5. Main handle
6. ON/OFF switch lock
7. ON/OFF switch
8. Access to mechanism greasing



Assembly



Disconnect the power plug before carrying out any adjustments or maintenance.

Auxiliary handle

For safety reasons you must only use the demolition hammer with the additional handle(3). This will provide better stability, support and guidance for the chisel.

Inserting HEX 17 accessories

- Clean tools with a thin layer of machine grease before fitting
- Pull back and hold the locking sleeve (2).
- Insert the dust-free tool into the tool mounting it with the plane surface upside. The tool will lock itself. Check that it is properly secure by pulling the tool.

Removing HEX 17 accessories

- Pull back locking sleeve (2), hold and remove tool

Chisel lock

- Press the chisel lock (2), and turn the inserted chisel into the required position.
- Release the chisel lock again.

Operation



WARNING! IN case of any abnormal noise, immediately turn off the tool and contact an authorized service facility for repairs

Switching ON and OFF

Connect the tool to the power supply.

To start the machine, you squeeze the ON / OFF switch (7). To stop the machine, you release the ON / OFF switch.

Continuous operation:

Secure the On/Off switch (7) with the On/Off switch lock (6).

Tips: You will only achieve good results if you use sharp chisels.

Cleaning and maintenance



Before performing any work on the equipment, pull the power plug.

Cleaning

- Keep the ventilation slots of the machine clean to prevent overheating of the engine.
- Regularly clean the machine housing with a soft cloth, preferably after each use. If the dirt does not come off use a soft cloth moistened with soapy water.
- Never use solvents such as petrol, alcohol, ammonia water, etc. These solvents may damage the plastic parts.

Maintenance

Our machines have been designed to operate over a long period of time with a minimum of maintenance. Continuous satisfactory operation depends upon proper machine care and regular cleaning.

Technical data

Voltage/ Frequency	230V ~ 50Hz
Input power	1100W
Blow rate	3900 ppm
Insulation class	II
Max impact energy	15 J
Accoustic level	105 dB(A)
Vibration level	15.914 m/s ²
Net weight	6.3 Kg

Storage

- Thoroughly clean the whole machine and its accessories.
- Store it out of the reach of children, in a stable and secure position, in a cool and dry place, avoid too high and too low temperatures.
- Protect it from exposure to direct sunlight. Keep it in the dark, if possible.
- Don't keep it in plastic bags to avoid humidity build-up.

Warranty

This warranty covers all material or production flaws excluding:

- Batteries, chargers, defective parts subject to normal wear & tear such as bearings, brushes, cables, and plugs, or accessories such as drills, drill bits, saw blades, etc. ;
- Damage or defects resulting from maltreatment, accidents or alterations; nor the cost transportation.
- We also disclaim all liability for any bodily injury resulting from inappropriate use of the tool.
- Definitely excluded from the warranty is damage resulting from fluid permeation, excessive dust penetration, intentional damage (on purpose or by gross carelessness), inappropriate usage (use for purposes for which the device is not suitable), incompetent usage (e.g. not following the instructions given in the manual), inexpert assembly, lightning strike, erroneous net voltage. This list is not exhaustive.