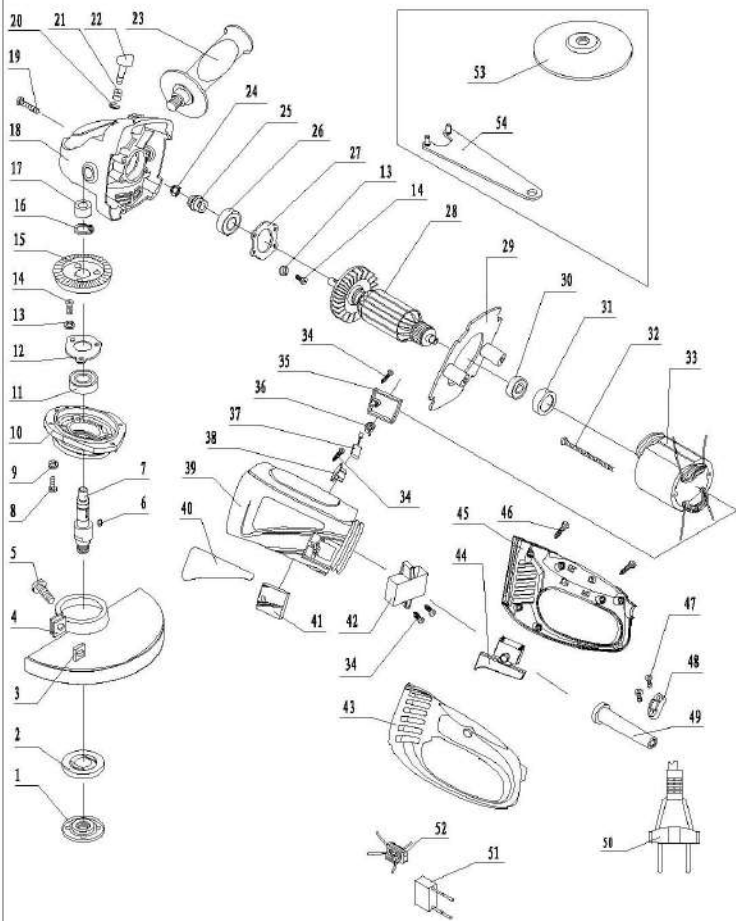


230M Angle Grinder Exploded Views



230M Angle Grinder Part List

No.	Name	Num	No.	Name	Num
1	Lower Flange	1	32	Screw ST4 × 80	2
2	Upper Flange	1	33	Field Assembly	1
3	Square Nut M8	1	34	Screw ST4 × 10	6
4	Wheel Cover	1	35	Right Brush Cover	1
5	Screw M8 × 30	1	36	Whirlabout Spring	2
6	Key 4 × 13	1	37	Carbon Brush	2
7	Shaft Output	1	38	Carbon Brush Holder	2
8	Pan Head Screw M5 × 16	4	39	Motor Housing	1
9	Spring Washer 5	4	40	Rating Lable	1
10	Front Cover	1	41	Left Brush Cover	1
11	Ball Bearing 6003	1	42	Soft Start	1
12	6003 Bearing Plate	1	43	Left Handle	1
13	Spring Washer 4	7	44	Switch	1
14	Pan Head Screw M4 × 12	7	45	Right Handle	1
15	Spiral Bevel Gear Big One	1	46	Screw ST4 × 18	7
16	Spring Ring For Shaft 14	1	47	Screw ST4 × 12	2
17	Needle Bearing HK1210	1	48	Cord Clamp Plate	1
18	Gear Housing	1	49	Power Cord Sleeve	1
19	Pan Head Screw S75 × 35	4	50	Power Cord	1
20	Retaining Ring 7	1	51	Capacitance 0.22 μF	1
21	Lock Pin Spring	1	52	Big Inductance	1
22	Lock Pin Button	1	53	Grinding Wheel	1
23	Side Handle Assembly	1	54	Spanner	1
24	Loose Proof Nut M8	1			
25	Spiral Bevel Gear Little One	1			
26	Ball Bearing 6201	1			
27	6201 Bearing Plate	1			
28	Armature Assembly	1			
29	Baffle Plate	1			
30	Ball Bearing 609	1			
31	609 Bearing Sleeve	1			