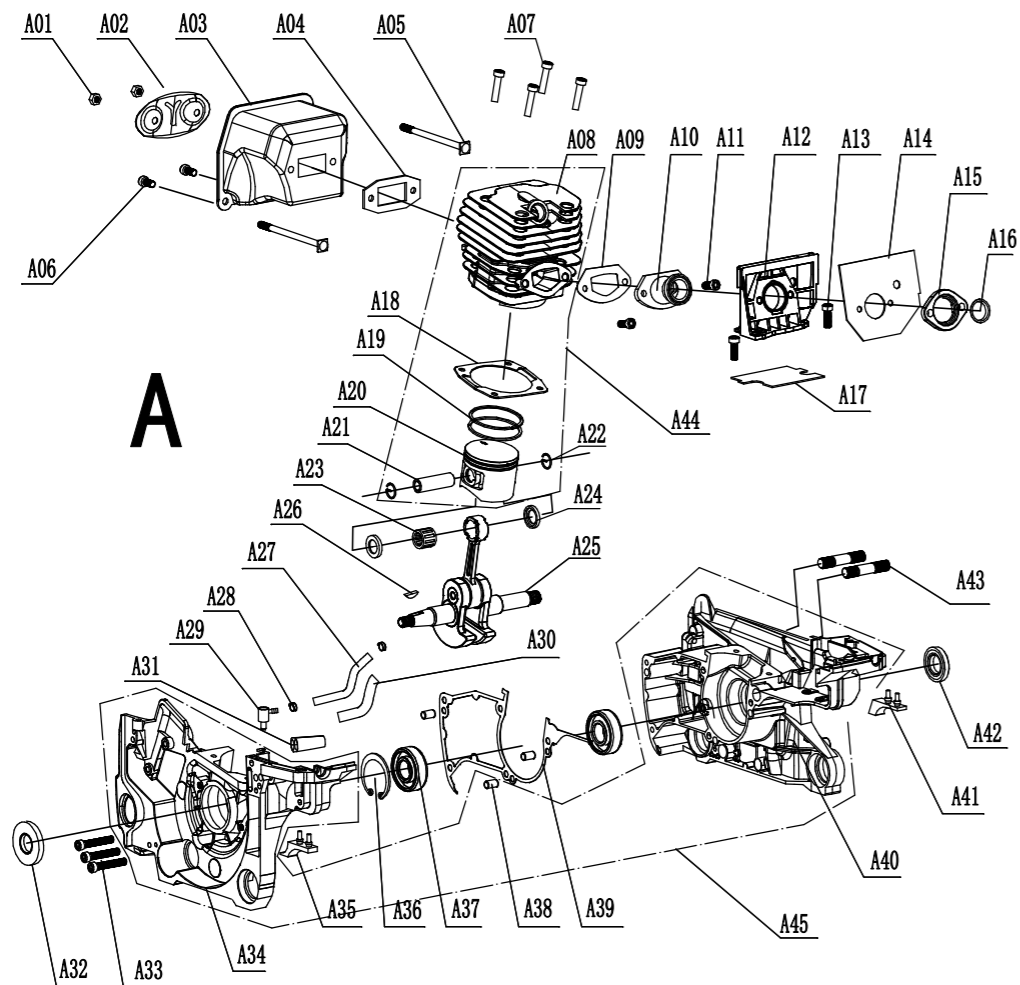
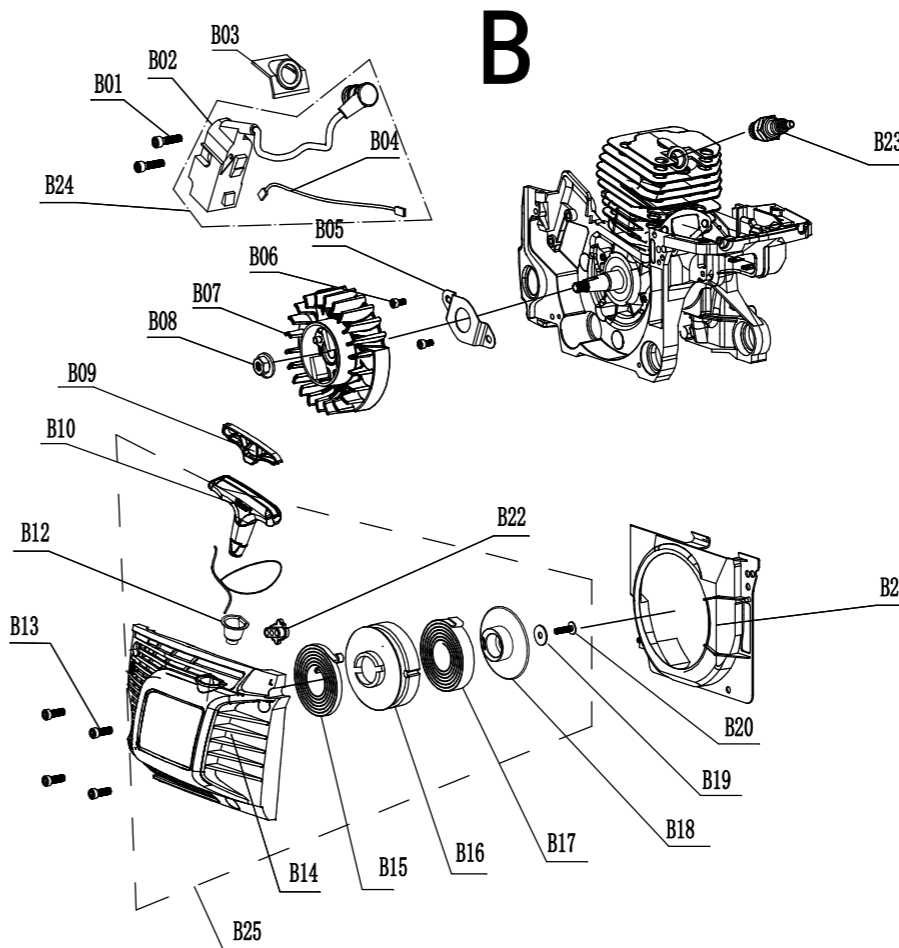


YS4518U

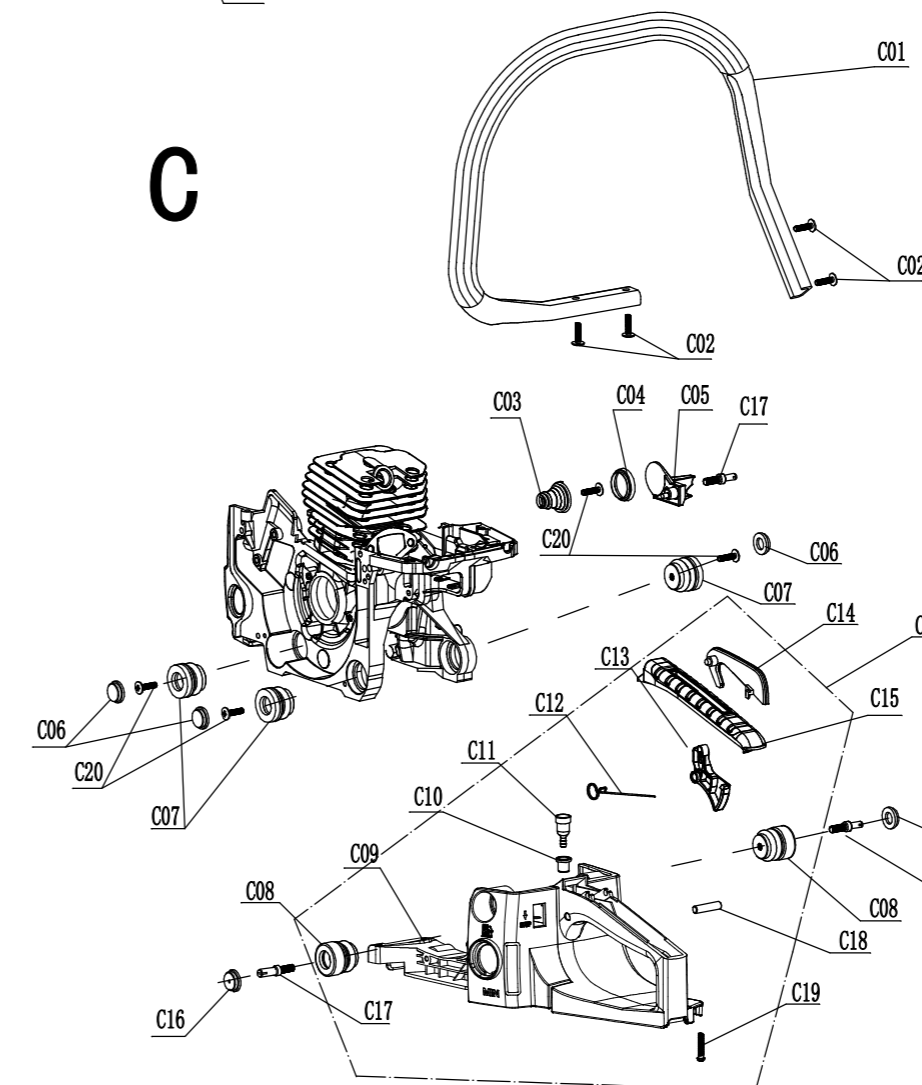


CODE	Description	Qty
A01	Nut M5	2
A02	Muffler cover	1
A03	Muffler	1
A04	Muffler gasket	1
A05	Muffler bolt M5*84	2
A06	Screw M5*10	2
A07	Screw M5*20	4
A08	Cylinder (49.3cc)	1
A09	Inlet pipe gasket	1
A10	Inlet pipe	1
A11	Screw M5*12	2
A12	Carburetor bracket	1
A13	Screw M5*14	2
A14	Asbestos mat	1
A15	Spacer	1
A16	Linning ring	1
A17	Bracket gasket	1
A18	Cylinder gasket	1
A19	Piston ring 49.3cc	2
A20	Piston 45mm (49.3cc)	1
A21	Piston pin 49.3cc&54.6cc	1
A22	Piston clip	2
A23	Piston roller bearing	1

CODE	Description	Qty
A24	Washer	2
A25	Crankshaft 45cc&49.3cc	1
A26	Woodruff key 3*10	1
A27	Vacuum pipe 6*110	1
A28	Vacuum pipe clip	2
A29	Elbow	1
A30	High-temperature sleeve	1
A31	Guide (LH)	1
A32	Oil seal-left	1
A33	Screw M5*30	5
A34	Crankcase-left	1
A34+A40	Crankcase-left&right	1
A35	Crankcase damper-left	1
A36	Snap ring 35	1
A37	Bearing 6202	2
A38	Location pin	3
A39	Crankcase gasket	1
A40	Crankcase-right	1
A41	Crankcase damper-right	1
A42	Oil seal-right	1
A43	Double-screw bolt M8*42A	2
A44	Cylinder+piston set	1
A45	Crankcase assy	1

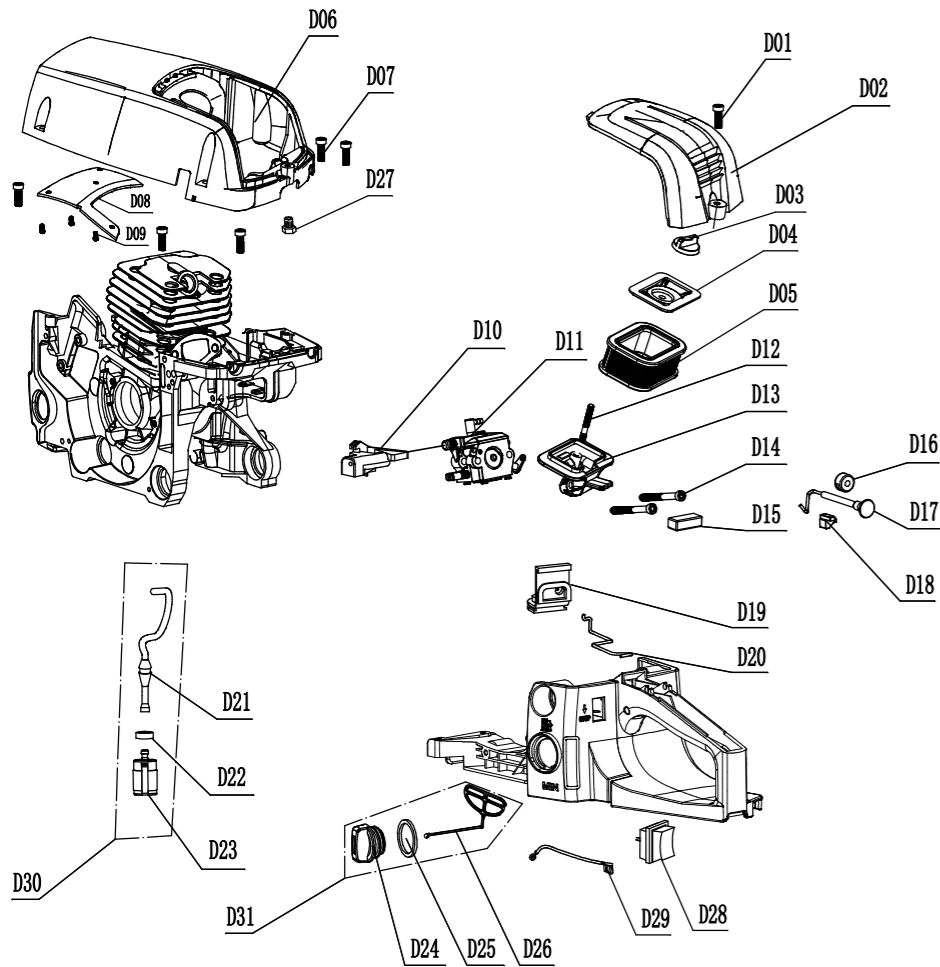


CODE	Description	Qty
B01	Screw M5*20	2
B02	Ignition coil	1
B03	Ignition cover	1
B04	Ignition cord	1
B05	Oil seal plate	1
B06	Screw M4*8	2
B07	Flywheel	1
B08	Nut M8*1	1
B09	Rope bracket	1
B10	Starter knob	1
B11	Starter rope	1
B12	Insert	1
B13	Screw M5*14	4
B14	Starter cover	1
B15	Recoil spring	1
B16	Starter Reel-big	1
B17	Starter spring	1
B18	Starter Reel-small	1
B19	Washer	1
B20	Screw M4.8*14	1
B21	Fan cover	1
B22	Spark plug L7T	1
B23	Guide	1
B24	Ignition coil set	1
B25	Starter assy	1

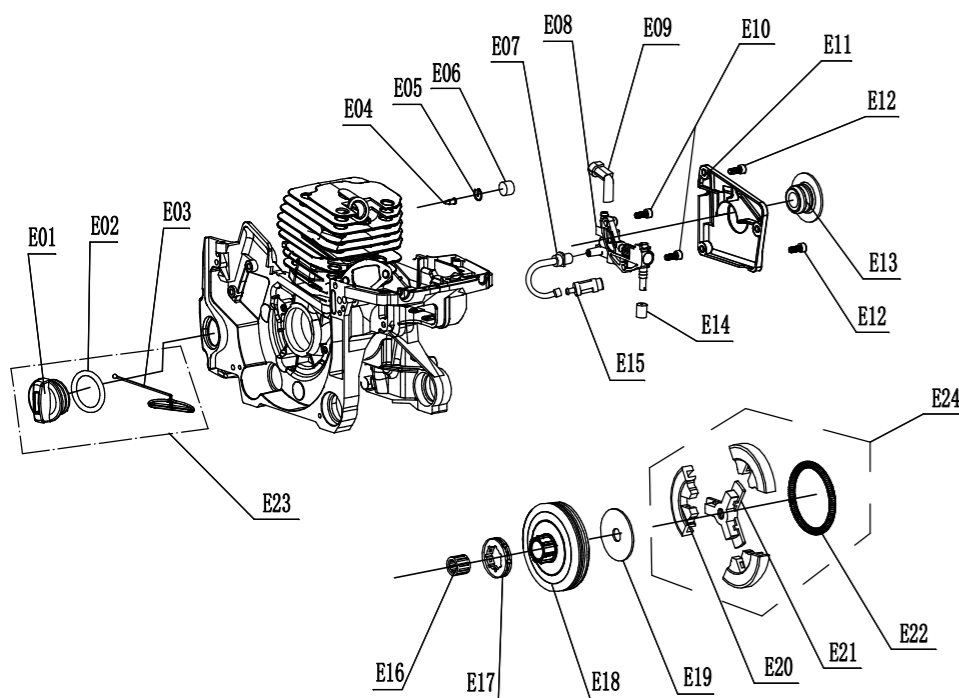


CODE	Description	Qty
C01	Front handle comp	1
C02	Screw ST4.8*16F	4
C03	Tower spring	1
C04	Tower spring seat	1
C05	Chain catcher	1
C06	Crankcase damper cover	3
C07	Crankcase damper	3
C08	Fuel tank damper	2
C09	Fuel tank	1
C10	Balancer seat	1
C11	Balancer assy	1
C12	Trigger spring	1
C13	Trigger	1
C14	Throttle interlock arm	1
C15	Rear handle cover	1
C16	Fuel tank damper cover	2
C17	Screw	3
C18	Trigger pin	1
C19	Screw ST3.9*20F	1
C20	Screw ST4.8*14F	4

D

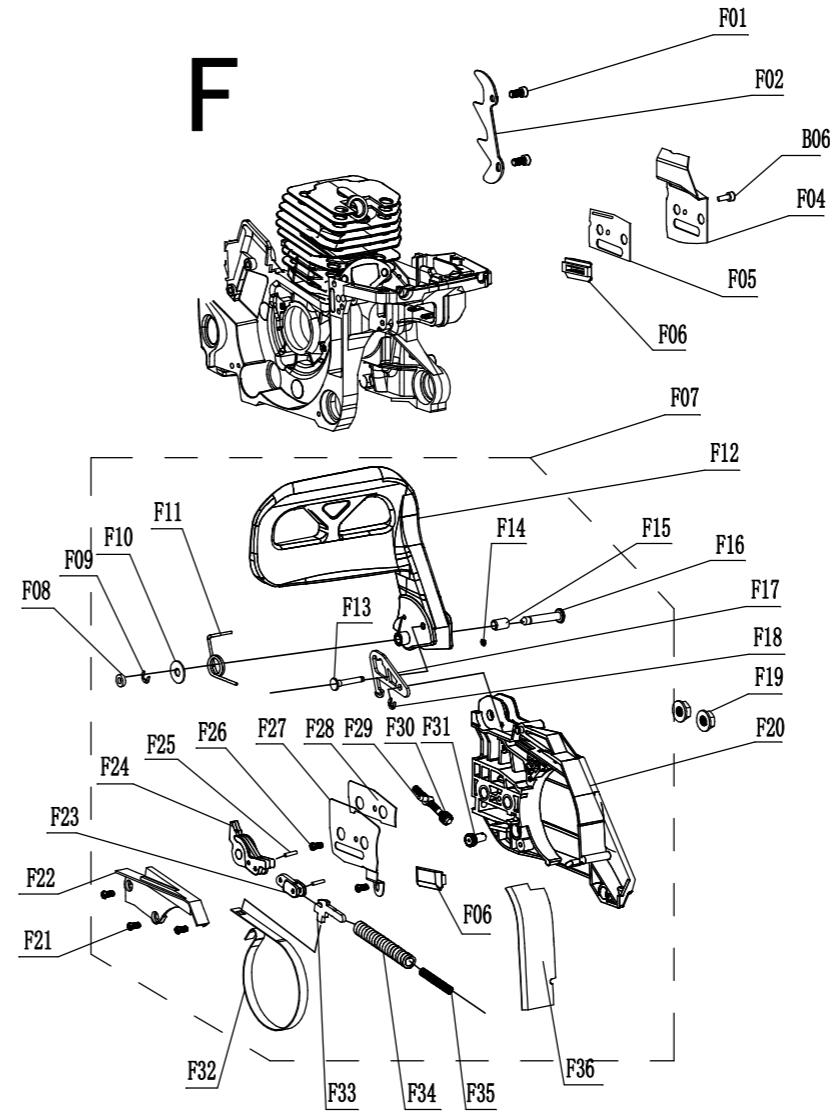


CODE	Description	Qty
D01	Screw ST5*16F	4
D02	Air filter cover	1
D03	Air filter knob	1
D04	Air filter gland	1
D05	Air filter	1
D06	Top cover	1
D07	Screw M5*14	5
D08	Air deflector	1
D09	Screw ST2.9*6F	1
D10	Guide (T)	1
D11	Carburetor	1
D12	Double-screw bolt M5*32A	1
D13	Mainfold	1
D14	Screw M5*50	2
D15	Mainfold damper	1
D16	Choke rod damper	1
D17	Choke rod	1
D18	Damper	1
D19	Dust shield	1
D20	Throttle rod	1
D21	Fuel pipe	1
D22	Pendant	1
D23	Fuel filter	1
D24	Fuel cap	1
D25	Washer	1
D26	Element	1
D27	Gland bolt	1
D28	On-off switch assy	1
D29	Lead	
D30	Fuel pipe assy	1
D31	Fuel cap assy	1



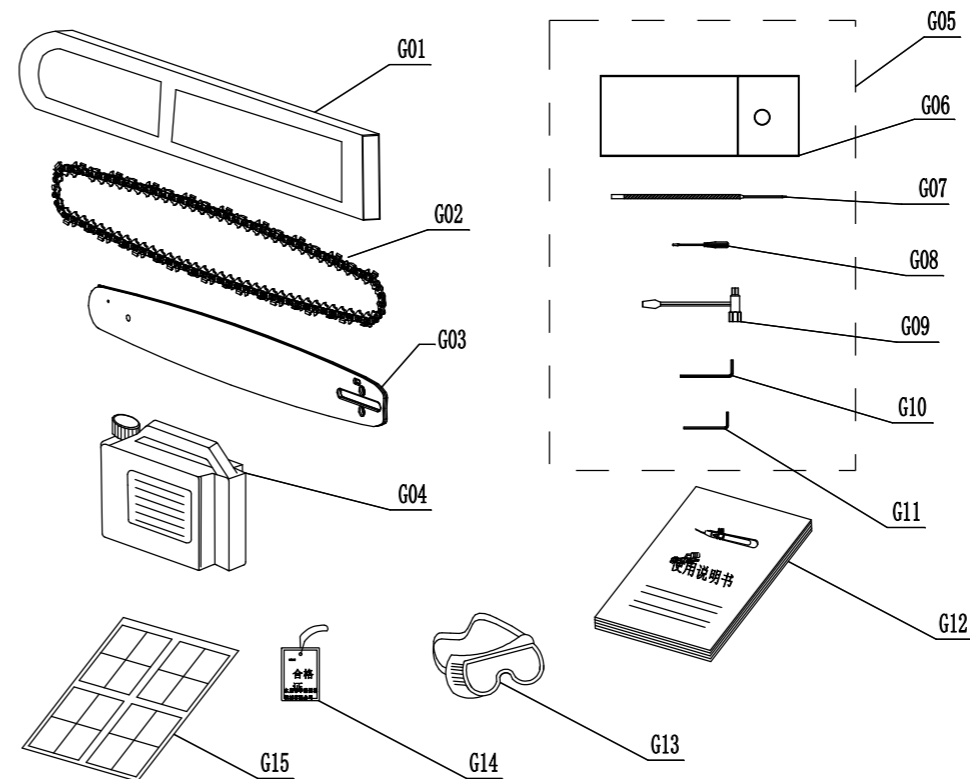
CODE	Description	Qty
E01	Oil cap	1
E02	Washer	1
E03	Element	1
E04	Oil tank valve	1
E05	Oil tank valve retainer	1
E06	Sponge	1
E07	Oil pipe	1
E08	Oil pump	1
E09	Oil pump pipe	1
E10	Screw M4*14	2
E11	Oil pump cover	1
E12	Screw M4*10	3
E13	Worm gear	1
E14	Sealed sponge	1
E15	Oil filter	1
E16	Clutch roller bearing	1
E17	Sprocket	1
E18	Clutch drum	1
E19	Clutch washer	1
E20	Clutch block	3
E21	Clutch bracket	1
E22	Clutch spring	1
E23	Oil cap assy	1
E24	Clutch assy	1
E22	Oil pipe assy	1

F



CODE	Description	Qty
F01	Screw M5*10	2
F02	Spike bumper	1
F03	Screw M4*8	1
F04	Guide plate	1
F05	Guide plate gasket	1
F06	Chain guide	2
F07	Brake assy	1
F08	Brake damper	1
F09	Snap ring	1
F11	Brake spring	1
F12	Front hand guard	1
F13	Stopper pin	1
F14	Snap ring 3	1
F15	Front hand jacket	1
F16	Guard pin	1
F17	Stopper plate	1
F18	Snap ring 4	1
F19	Nut M8*1.25	2
F20	Clutch cover	1
F21	Screw ST3.9*10F	3
F22	Brake spring cover	1
F23	Brake lever(Sub)	1
F24	Brake lever(Main)	1
F25	Brake lever pin 3*8.8	2
F26	Screw ST3.9*8F	2
F27	Tensioned plate	1
F28	Plate gasket	1
F29	Tensioned pin	1
F30	Tensioned gear-Main	1
F31	Tensioned gear-Sub	1
F32	Brake band	1
F33	Brake arm	1
F34	Brake spring (main)	1
F35	Brake spring(sub)	1
F36	Sawdust protector	1

G



CODE	Description	Qty
G01	Bar cover	1
G02	Saw chain	1
G03	Guide bar	1
G04	Mixture bottle	1
G05	Tool Kit	1
G06	Tool bag	1
G07	File	1
G08	Screw driver	1
G09	Wrench	1
G10	S4 Hexagon ring spanner	1
G11	S3 Hexagon ring spanner	1
G12	Manual	1