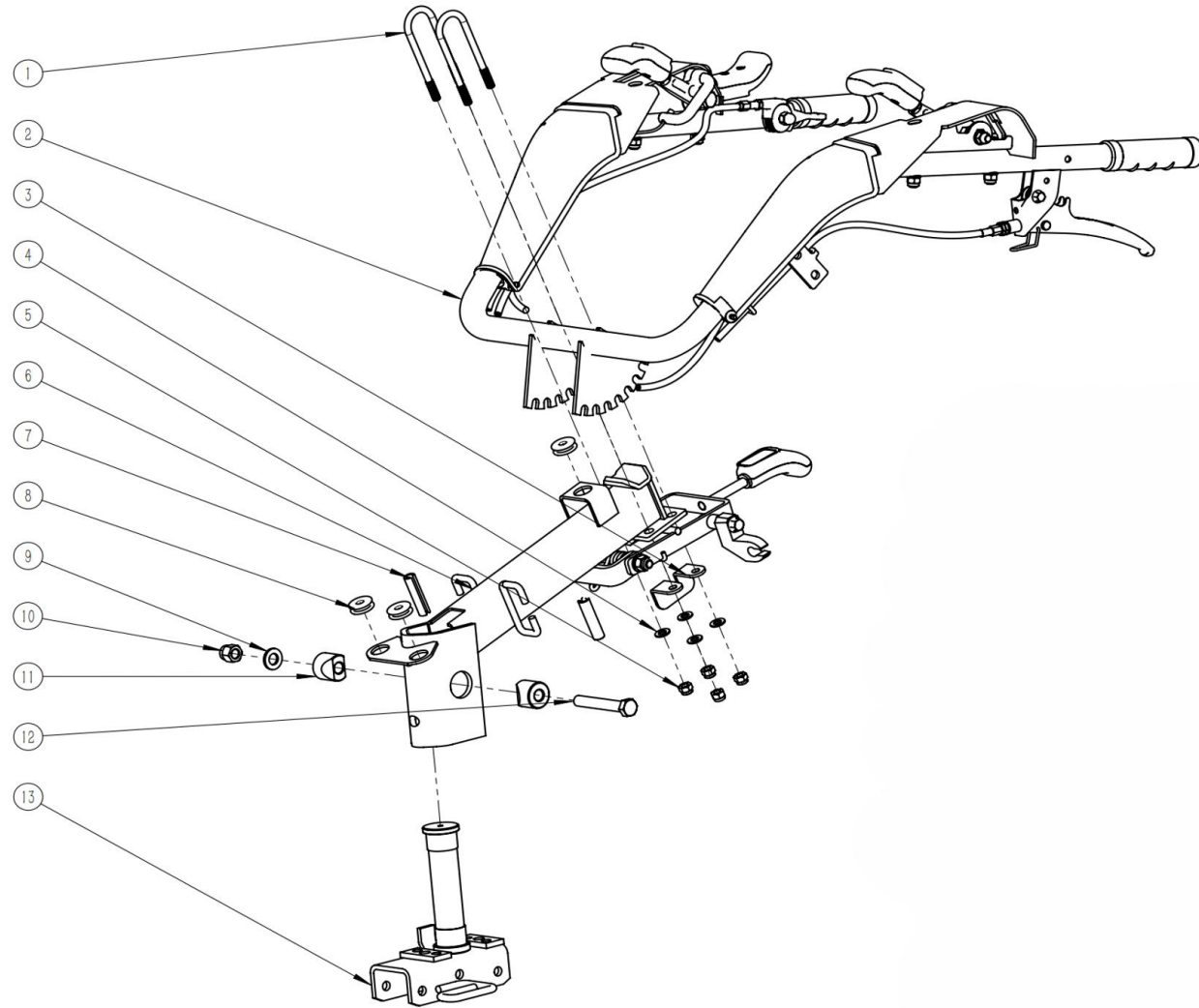
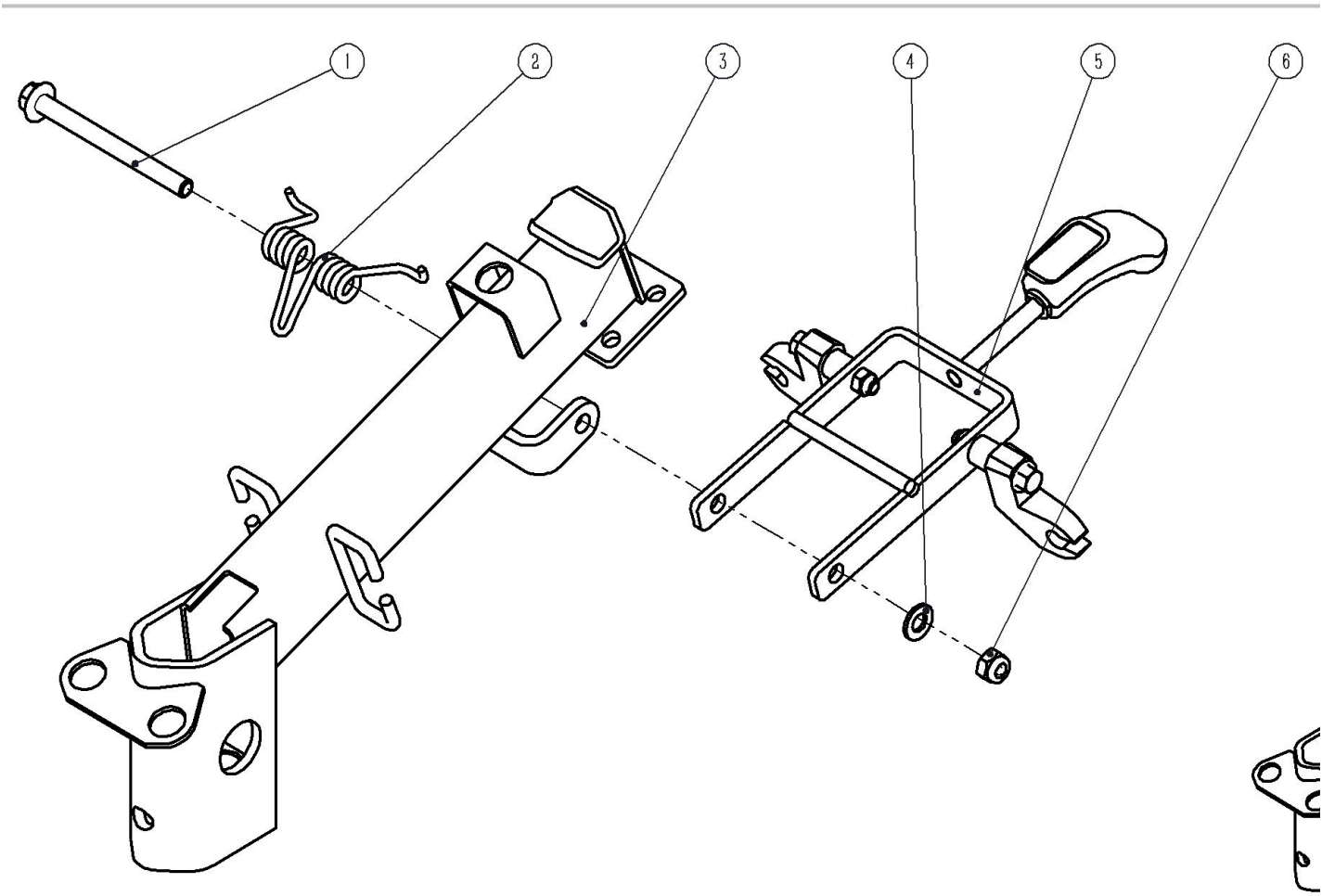


Serial No.	Item code	Item name in CN	Item name in EN	Qty	Specification
1	YX730-0106000000	电启动开关	electric start switch	1	
2	YX730-0104000000	扶手装饰件	big plastic cover	1	
3	GB/T 6182-2010	全金属嵌件六角锁紧螺母	Hexagon lock nut with all metal insert	10	M10
4	GB/T 97.1-2002	10平垫圈	10 flat washer	11	φ10.5Xφ20X2
5	YX730-0900000000	电池绑带	battery belt	1	
6	YX730-0800000000	电池	battery	1	
7	YX730-0700000000	电池橡胶垫	battery rubber cushion	1	5MM
8	GB/T 5783-2000	六角头螺栓 全螺纹	hexagon bolt full thread	4	M8X16
9	YX730-0600000000	电池盒总成	battery case assy	1	
10	YX730-1600000000	挂挡操纵杆总成	shift lever assy	1	
11	YX730-1800000000	电池盒前安装支架	front mount bracket of battery case	1	4MM
12	GB/T 5783-2000	六角头螺栓 全螺纹	hexagon bolt full thread	1	M10X20
13	Y730-03120300	电池盒后安装支架	back mount bracket of battery case	1	4MM
14	GB/T 97.1-2002	8平垫圈	8 flat washer	7	φ8Xφ16X1.6
15	YX730-2000000000	拉线锁紧螺母	cable lock nut	3	
16	GB/T 879.1-20000	弹性圆柱销 直槽	Elastic cylindrical pin straight groove	1	4X22
17	YX730-1700000000	挂挡操纵杆连接件	shift lever link assy	1	
18	GB/T 5783-2000	六角头螺栓 全螺纹 M6X20	hexagon fangle bolt full thread M6X20	3	M6X20 10.9级
19	YX730-0107060200	离合拉索总成	clutch cable assy	1	
20	YX730-0107040800	差速器拉索总成	differential cable assy	1	
21	YX730-0500000000	轮胎总成右	wheel assy right	1	
22	GB/T6182-2010	非金属嵌件六角锁紧螺母	Hexagon lock nut with non-metallic Insert	8	M8
23	YX730-0300000000	齿轮箱总成	gear box assembly	1	
24	YX730-1400000000	齿轮箱输出端防护盖	gear box output cover	1	
25	GB/T 97.1-2002	12平垫圈	12 flat washer	2	φ13Xφ24X2.5
26	GB/T93-1987	标准型弹性垫圈	standard elastic washer	2	12
27	GB/T6170-2000	六角螺母	hexagon nut	2	M12加厚
28	YX730-0107040500	进退拉索总成	forward back cable assy	1	
29	GB/T 93-1987	弹性垫圈	elastic washer	4	8

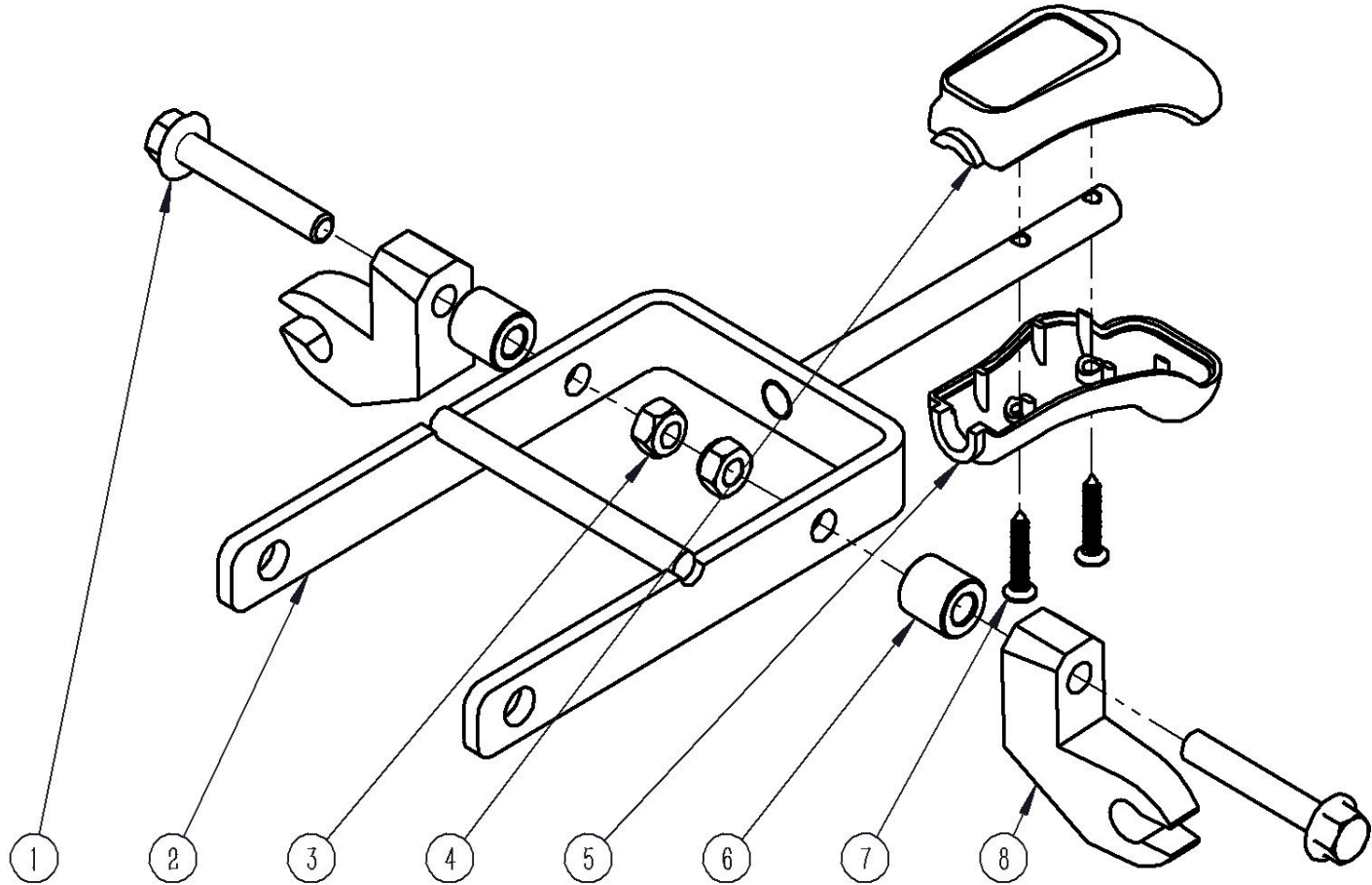
30	GB/T 6170-2000	六角螺母（加厚）	hexagon nut (thicker)	7	M8
31	QC/T 623	回型插销	Retractable latch	1	2X35
32	GB/T 5789-1986	六角头法兰面螺栓	hexagon flange bolt	4	M8X40
33	YX730-1500000000	输出操纵杆总成	output joystick assy	1	
34	YX730-0400000000	轮胎总成左	wheel assy left	1	
35	YX730-0204000000	发动机保护架组件	bumper assy	1	
36	YX730-1200000000	干式离合器拨叉	clutch fork	1	
37	YX730-0200000000	动力总成	engine assy	1	
38	YX730-1100000000	离合器滑轮座总成	clutch pulley fixer assy	1	
39	YX730-1300000000	离合器拨叉防尘盖	clutch fork dust cover	1	
40	GB/T 96.1-2002	8大垫圈	8 big cushion ring	4	φ8.4Xφ24X2
41	YX730-1000000000	电池盒装饰件	battery case plastic cover	1	
42	GB/T 5782-2000	六角头螺栓	flange bolt	1	M10X75
43	GB/T 5782-2000	六角头螺栓	flange bolt	1	M10X80
44	YX730-0100000000	扶手总成	handle assy	1	



Serial No.	Item code	Item name in CN	Item name in EN	Qty	Specification
1	YX730-0107020000	U形螺栓	U screw bolt	2	M8×110×36
2	YX730-0107000000	手把总成	Handle assembly	1	
3	YX730-0110000000	手把调节限位座	handle adjust restrict base	1	3MM
4	GB / T 97.1-2002	平垫圈	Flat washer	4	φ8.4×φ16×1.6
5	GB/T6182-2016	非金属嵌件六角锁紧螺母	Hexagon lock nut with non-metallic Insert	4	M8
6	YX730-0103000000	扶手连接臂总成	Handle connecting arm assembly	1	
7	YX730-0113000000	塑料扣夹	plastic buckle clip	2	
8	YX730-0105000000	装饰件固定橡胶圈	Rubber gasket	3	
9	GB / T97.1-2002	平垫圈	Flat washer	1	φ13×φ24×2.5
10	GB/T6182-2016	非金属嵌件六角锁紧螺母	Hexagon lock nut with non-metallic Insert	1	M12
11	YX730-0103040000	扶手连接臂锁紧块	Handle connecting arm locking block	2	φ30
12	GB / T 5782-2000	六角头螺栓	Hex head bolt	1	M12×75
13	YX730-0102000000	扶手转向座组件	Handle turning base component	1	

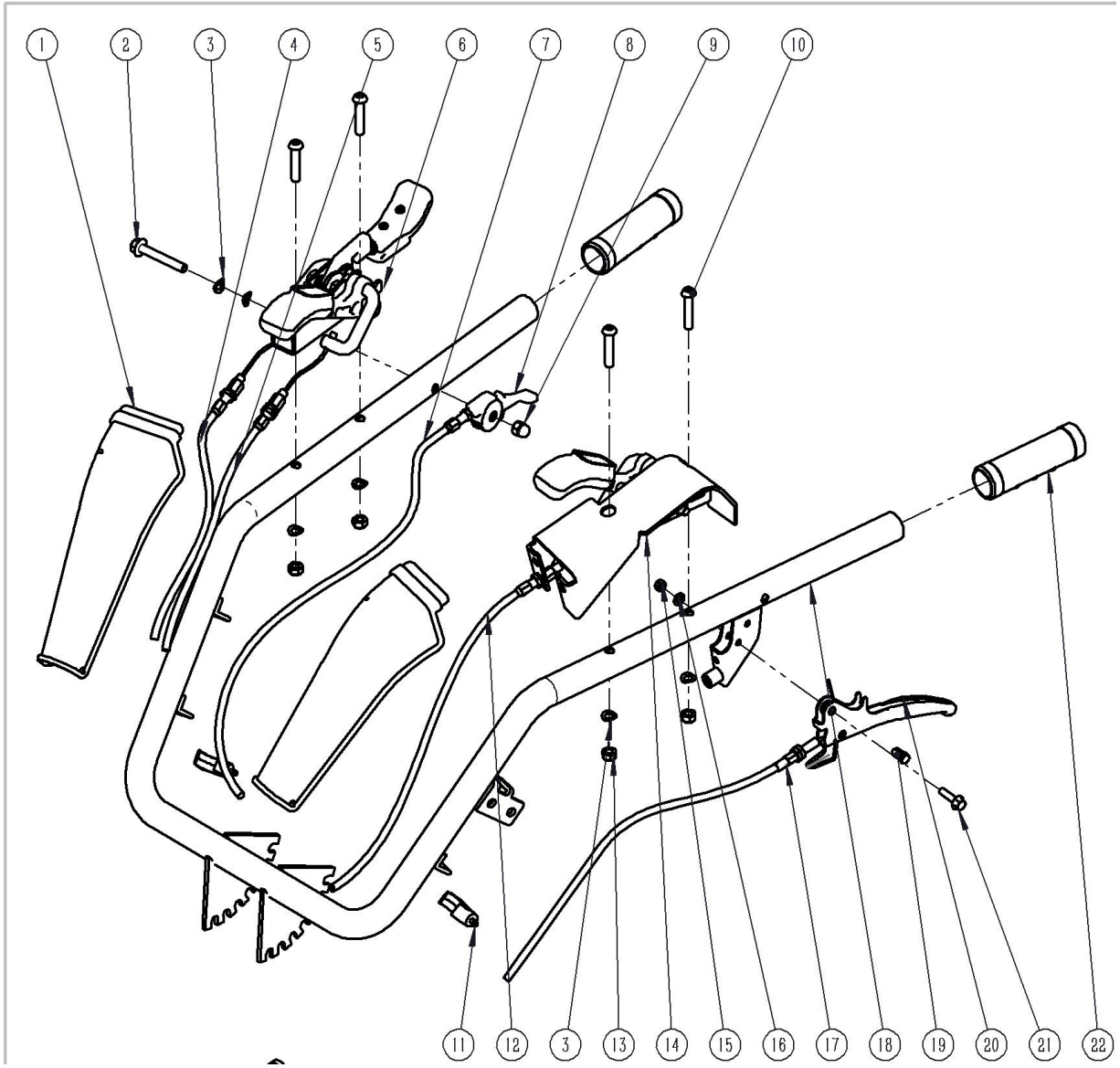


Serial No.	Item code	Item name in CN	Item name in EN	Qty	Specification
1	GB/T 5789-1986	六角头法兰面螺栓	hexagon flange bolt	1	M10X110
2	YX730-0103030000	手把调节扭簧	torsion spring for handle adjustor	1	φ4
3	YX730-0103010000	扶手连接臂组件	handle connect arm assy	1	
4	GB/T 97.1-2002	平垫圈	flat washer	1	φ10Xφ20X2
5	YX730-0103020000	手把调节手柄总成	handle adjust lever assy	1	
6	GB/T 6182-2010	全金属六角锁紧螺母	all metal hexagon lock nut	1	M10

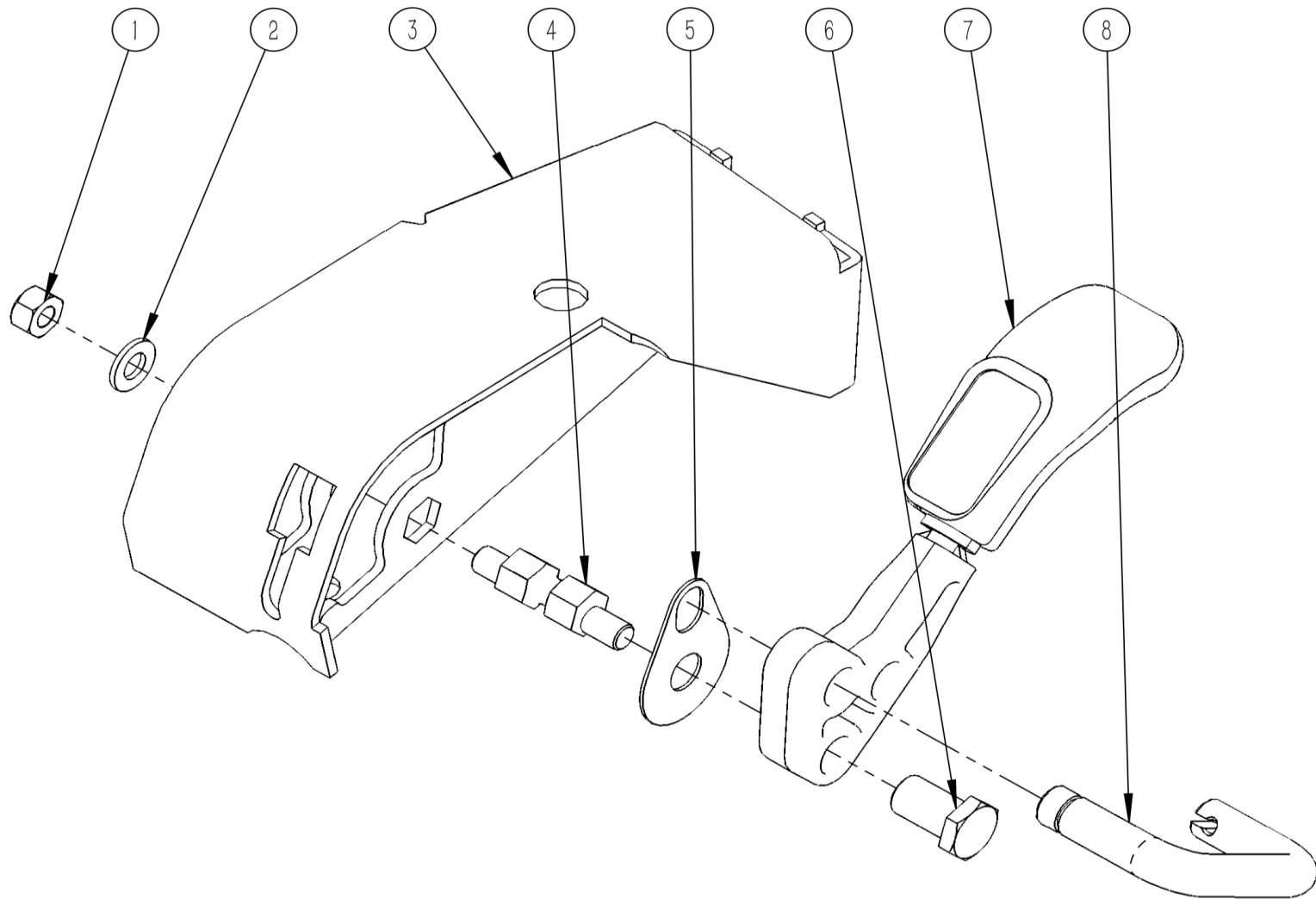




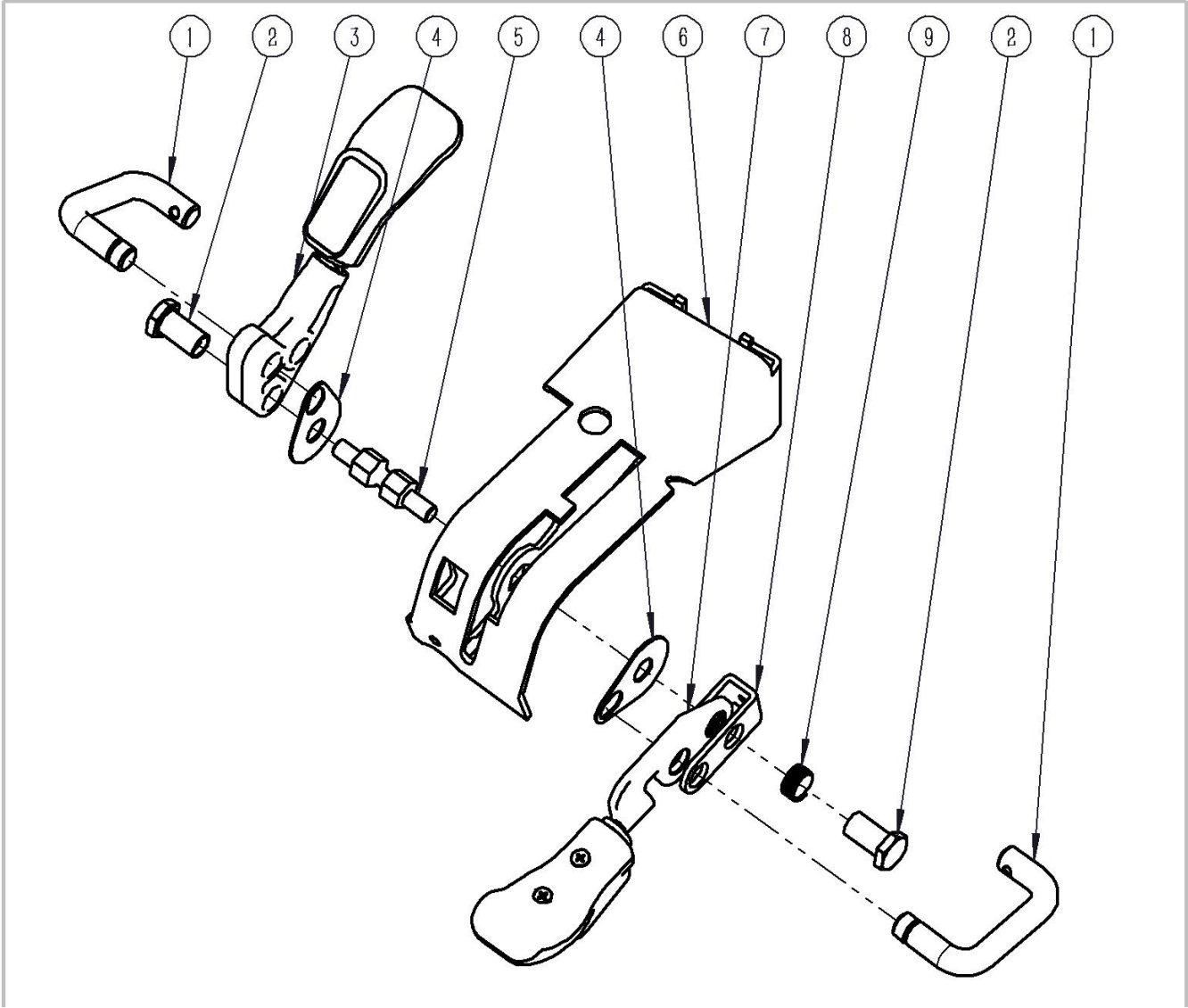
Serial No.	Item code	Item name in CN	Item name in EN	Qty	Specification
1	GB/T 5789-1986	六角头法兰面螺栓	hexagon flange bolt	2	M8X50
2	YX730-0103020100	手把调节手柄连接组件	handle adjust lever link assy	1	
3	GB/T 6182-2010	全金属六角锁紧螺母	all metal hexagon lock nut	2	M8
4	YX730-0103020200	塑料手柄上	plastic lever up	1	
5	YX730-0103020300	塑料手柄下	plastic lever down	1	
6	YX730-0103020500	操纵杆卡座衬套	joystick holder sleeve	2	φ8.5Xφ16X16
7	GB/T 846-1985	十字槽沉头自攻螺钉-C型	cross recessed countersunk head tapping screw	2	ST4.2X25
8	YX730-0103020400	操纵杆卡座	joystick holder	2	



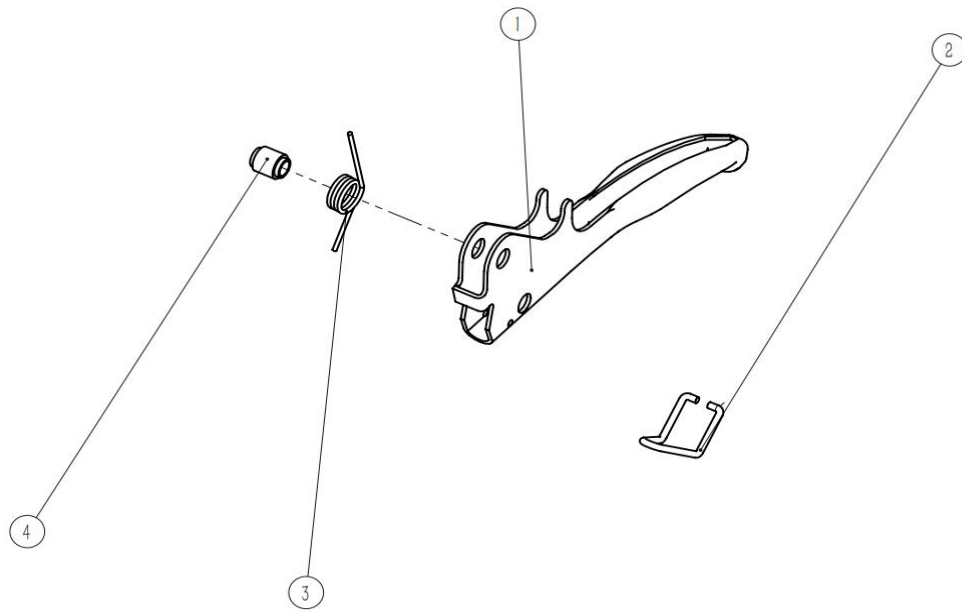
Serial No.	Item code	Item name in CN	Item name in EN	Qty	Specification
1	YX730-0107080000	手把装饰件	handle plastic cover	2	
2	GB/T 5789-1986	六角头法兰面螺栓	hexagon flange bolt	1	M8X55
3	GB/T 955-1987	波形弹性垫圈	Corrugated Spring Washer	6	8
4	YX730-0107040500	进退拉索总成	forward back cable assy	1	
5	YX730-0107040800	差速器拉索总成	differential lock assy	1	
6	YX730-0107040000	右操控总成	right control handle assy	1	
7	YX730-0107050200	油门拉索总成	throttle cable assy	1	
8	YX730-0107050000	油门开关总成	throttle lever assy	1	
9	GB/T 923-2009	六角盖型螺母	Hexagonal cap nut	1	M8
10	GB/T 70.2-2008	内六角平圆头螺钉	Hexagon flat head screw	4	M8X40
11	YX730-0107090000	手把装饰件固定扣	handle plastic cover fix buckle	2	
12	YX730-0107030700	扶手转向拉索总成	handle rotate cable assy	1	
13	GB/T 6182-2010	非金属嵌件六角锁紧螺母	Hexagon lock nut with non-met	4	M8
14	YX730-0107030000	左操控总成	left control handl assy	1	
15	GB/T 6182-2010	非金属嵌件六角锁紧螺母	Hexagon lock nut with non-met	1	M6
16	GB/T 97.1-2002	6平垫圈	6 flat washer	1	φ6Xφ12X1.6
17	YX730-0107060200	离合拉索总成	clutch cable assy	1	
18	YX730-0107010000	手把管组件	handle tube assy	1	
19	YX730-0107060600	离合拉线扣	clutch cable buckle	1	
20	YX730-0107060000	离合手把总成	clutch lever assy	1	
21	GB/T 5789-1986	六角头法兰面螺栓	hexagon flange bolt	1	M6X25
22	YX730-0107100000	手把橡胶手柄	rubber handle	2	



Serial No.	Item code	Item name in CN	Item name in EN	Qty	Specification
1	GB/T 6182-2010	非金属嵌件六角锁紧螺母	Hexagon lock nut with non-m	1	M8
2	GB/T 97.1-2002	平垫圈	flat washer	1	8
3	YX730-0107030100	左操控组件	left control handle assy	1	
4	YX730-0107030500	手柄固定偏心螺栓	eccentric screw	1	M8
5	YX730-0107030400	手柄连接片	lever plate	1	1 mm
6	YX730-0107030600	手柄固定螺母	aluminum lever fix nut	1	M8
7	YX730-0107030200	铝手柄总成	aluminum lever assy	1	
8	YX730-0107030300	U型拉线固定座（左）	U type cable fixer (left)	1	φ12

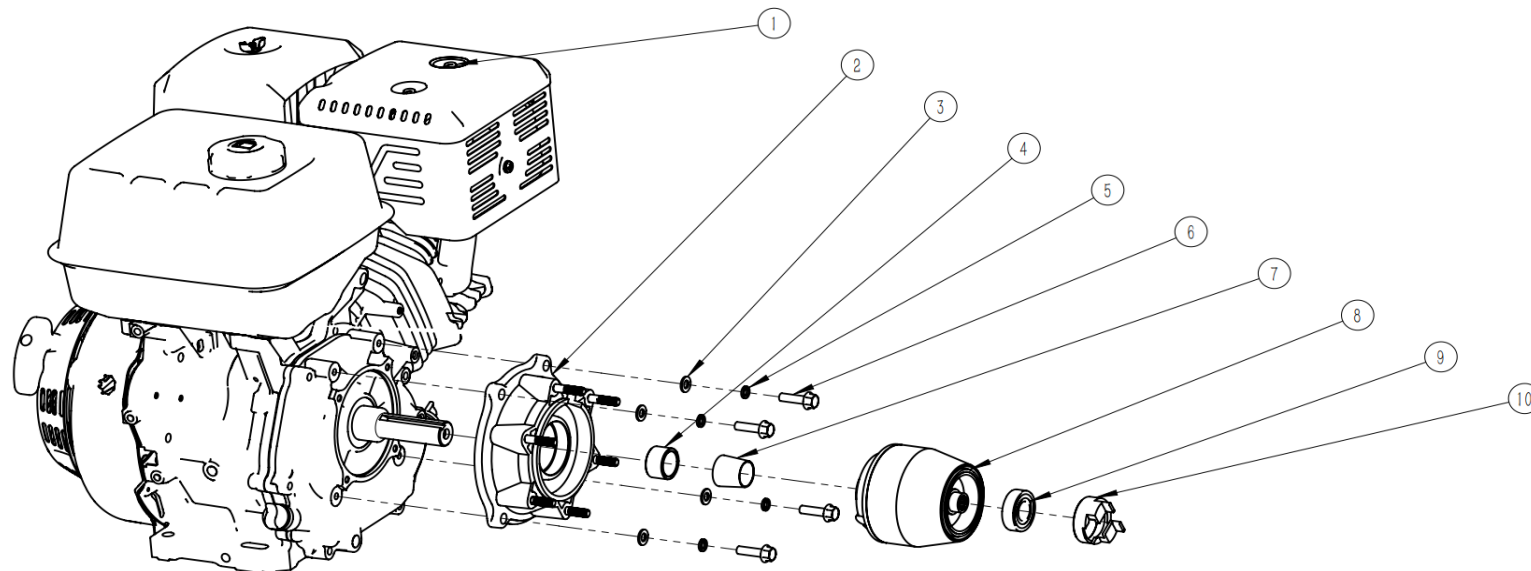


Serial No.	Item code	Item name in CN	Item name in EN	Qty	Specification
1	YX730-0107040600	U型拉线固定座（右）	U type cable fixer	2	φ12
2	YX730-0107030600	手柄固定螺母	aluminum lever fix nut	2	M8
3	YX730-0107030200	铝手柄总成	aluminum lever assy	1	
4	Y730-0107030400	手柄连接片	lever plate	2	1mm
5	7X730-0107030500	手柄固定偏心螺栓	eccentric screw	1	M8
6	YX730-0107040100	右操控组件	right control handle assy	1	
7	YX730-0107040200	铁手柄总成	iron lever assy	1	
8	YX730-0107040300	铁手柄连接座	iron lever Connection seat	1	3mm
9	YX730-0107040400	铁手柄固定弹簧	iron leve fix spring	1	φ1.2

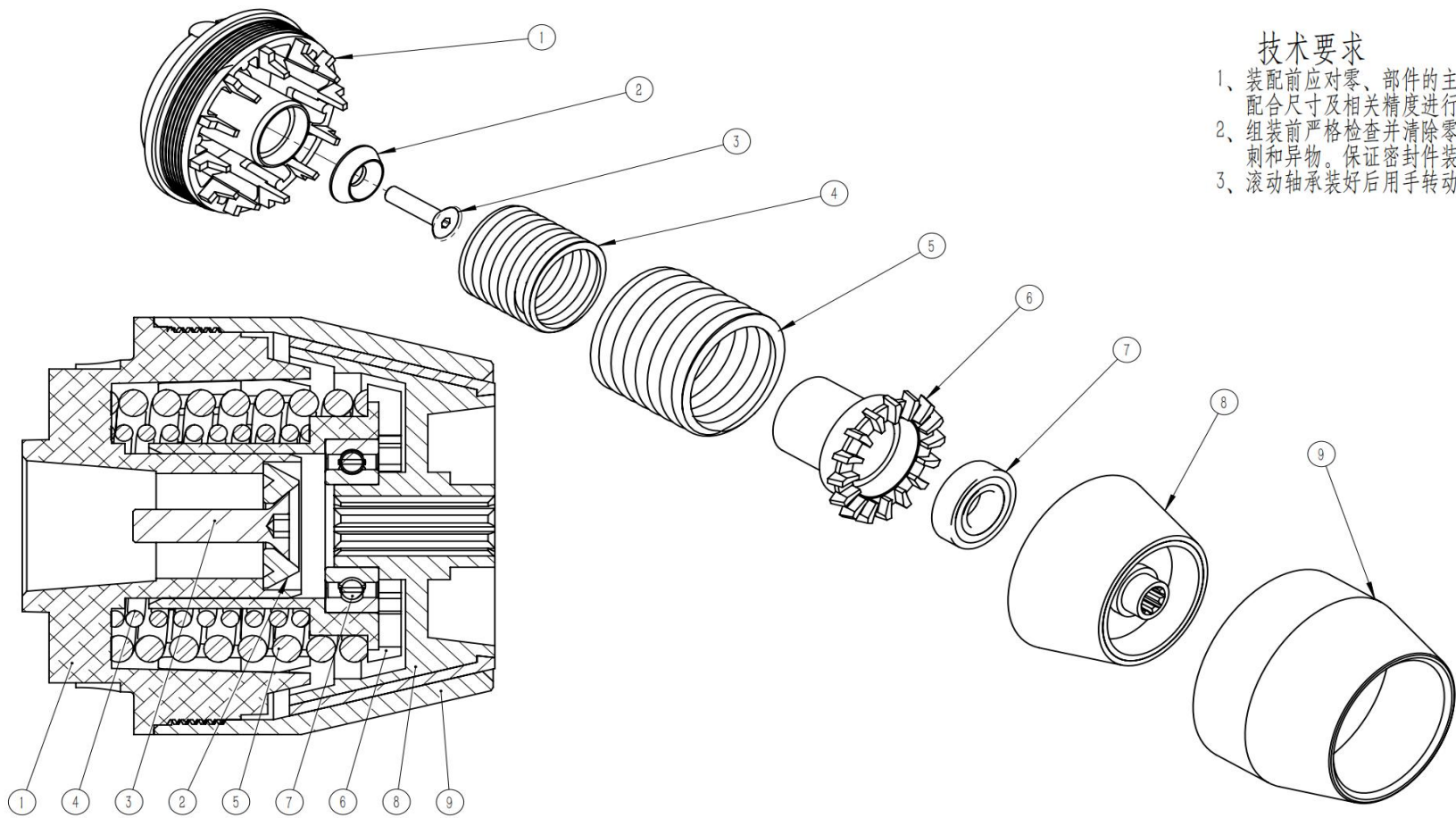


Serial No.	Item code	Item name in CN	Item name in EN	Qty	Specification
4	YX730-0107060100	离合手把固定轴套	fix shaft sleeve of clutch handle	1	1.5
3	YX730-0107060300	离合手把扭簧	torsion spring of clutch handle	1	φ2.5
2	YX730-0107060400	离合手把锁扣	lock buckle	1	φ1.5
1	YX730-0107060500	离合手把	clutch handle	1	φ6Xφ10X12





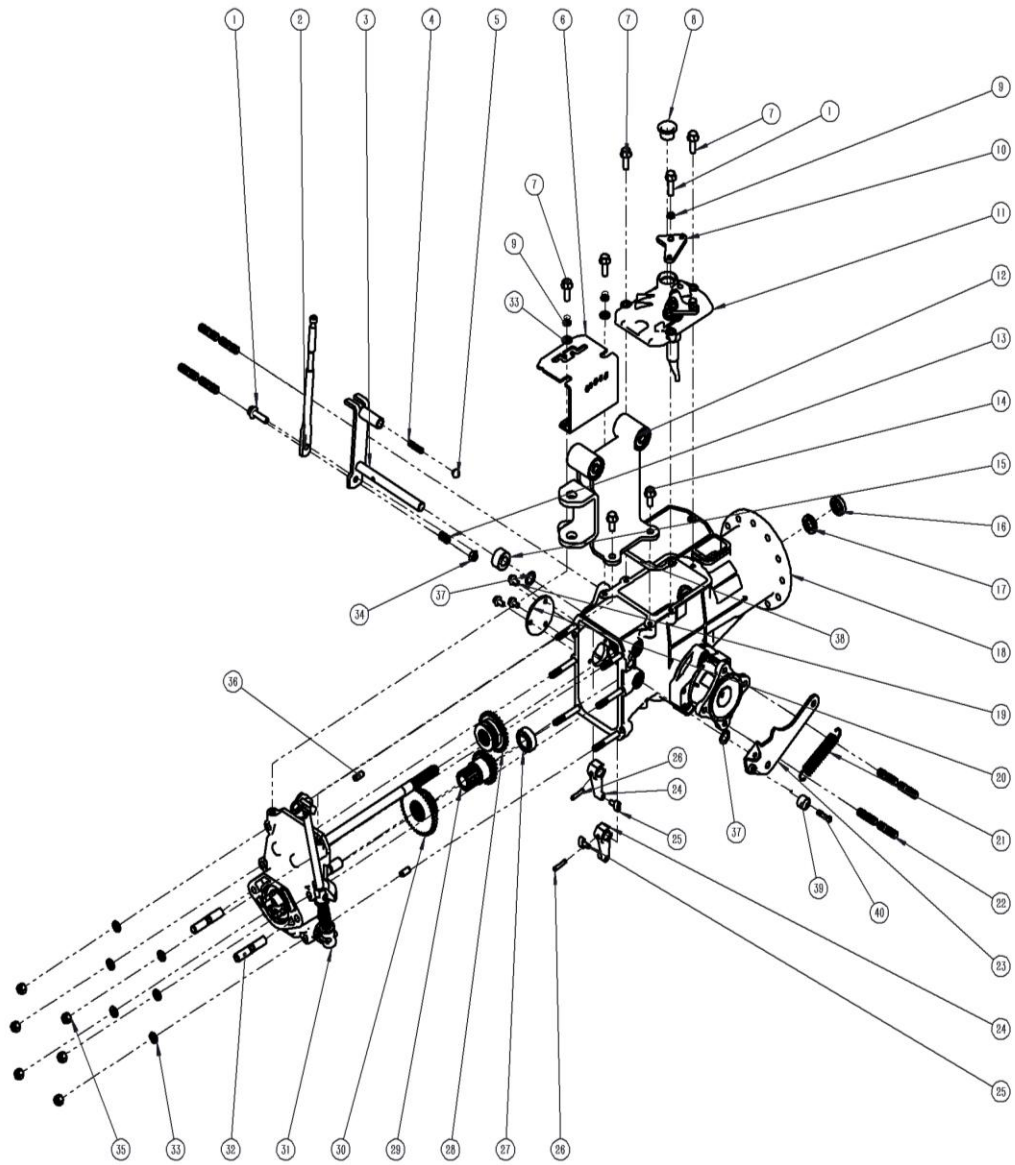
Serial No.	Item code	Item name in CN	Item name in EN	Qty	Specification
1	YX730-0201000000	发动机总成	engine assembly	1	420FD
2	YX730-0203000000	发动机连接盘组件	engine connec cover assy	1	
3	GB/T 97.1-2002	平垫圈	flat washer	4	φ8.4Xφ16X1.6
4	YX730-0202000000	发动机输出轴隔套	engine output shaft spacer	1	φ25.6Xφ32X18
5	GB/T 93-1987	弹性垫圈	elastic washer	4	8
6	GB/T 5789-1986	六角头法兰面螺栓	hexagon flange bolt	4	M8X30
7	YX730-0206000000	锥套	cone sleeve	1	
8	YX730-0205000000	干式离合器总成	clutch assembly	1	
9	GB/T 276-2013	深沟球轴承	deep groove ball bearing	1	6004-2RS
10	YX730-0208000000	干式离合器拨叉固定座	clutch fork base	1	



### 技术要求

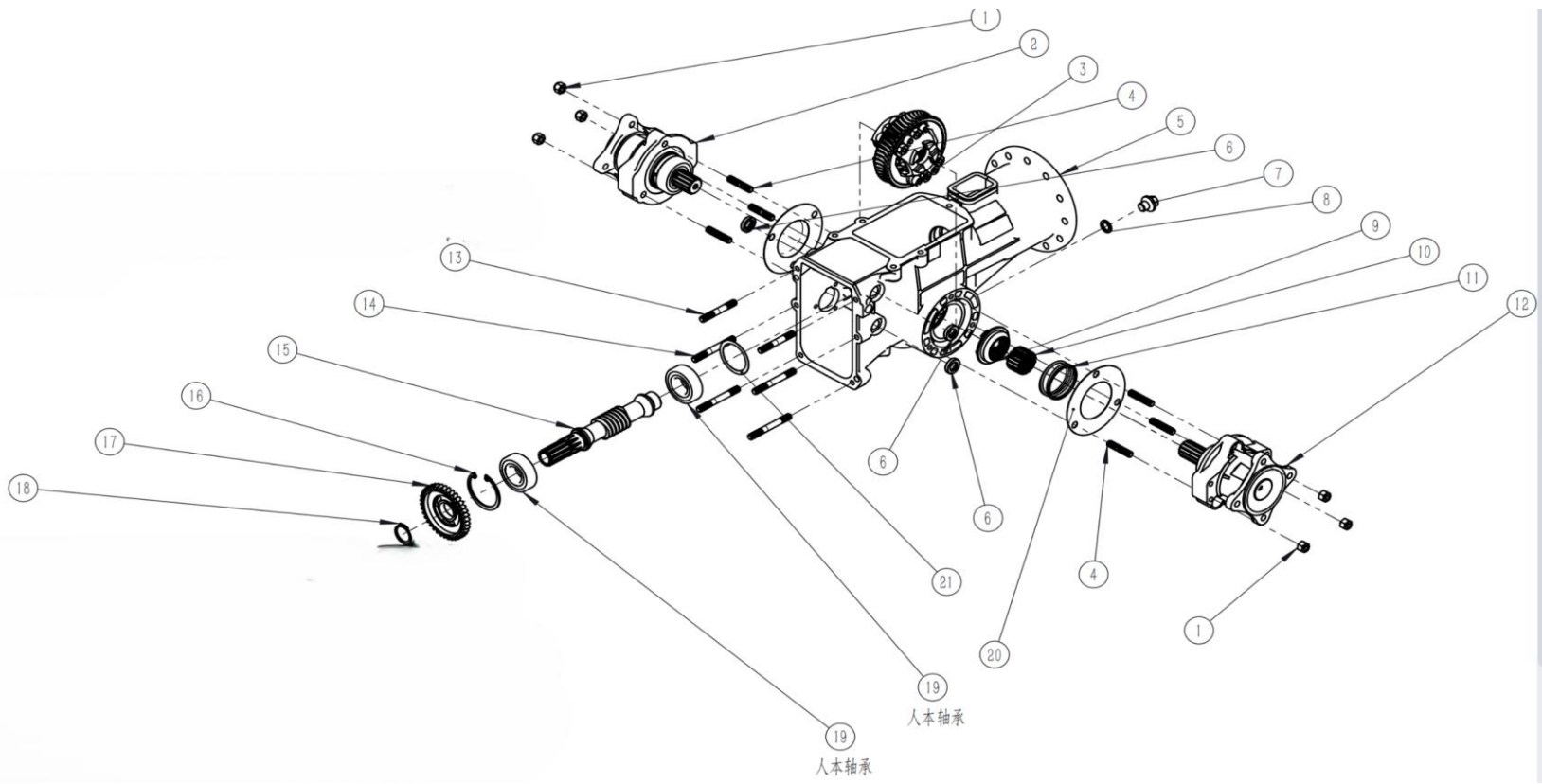
- 1、装配前应检查零件精度，主要零件应进行复配。
- 2、装配前应严格检查并清除异物，密封件应完好。
- 3、滚动轴承装好后应转动自如。

Serial No.	Item code	Item name in CN	Item name in EN	Qty	Specification
1	YX730-0205010000	干式离合器外壳座	clutch shell base	1	
2	YX730-0207000000	锥形垫圈	conical washer	1	
3		内六角沉头螺栓	Hexagon countersunk h	1	3/8-24x35
4	YX730-0205060000	干式离合器小弹簧	small spring	1	φ4
5	YX730-0205050000	干式离合器大弹簧	big spring	1	φ6.5
6	YX730-0205040000	干式离合器弹簧座	clutch spring base	1	
7	GB/T 276-2013	深沟球轴承	deep groove ball bearin	1	6004-2RS
8	YX730-0205030000	干式离合器摩擦轮	friction wheel	1	
9	YX730-0205020000	干式离合器外壳	clutch shell	1	



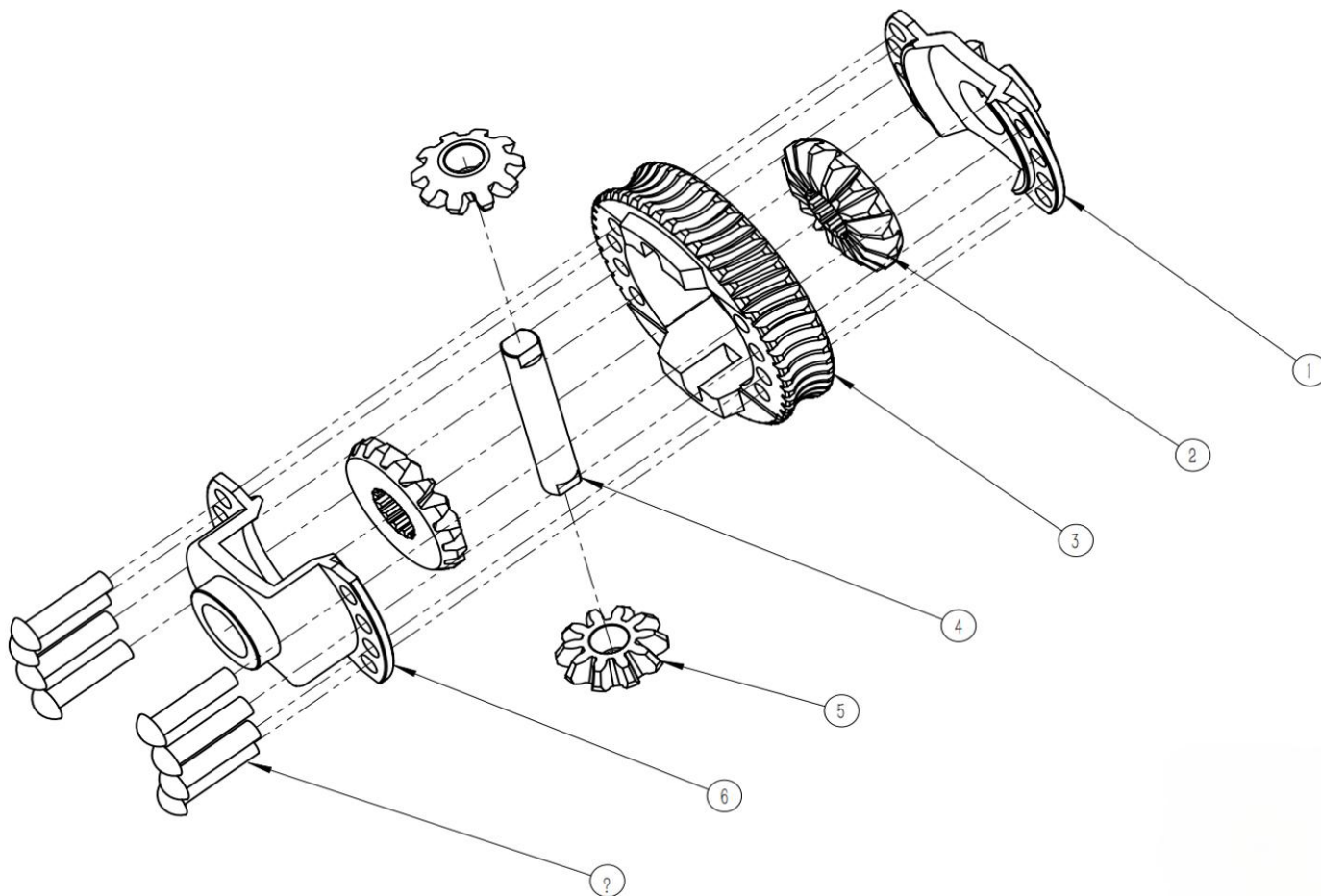
Serial No.	Item code	Item name in CN	Item name in EN	Qty	Specification
1	GB/T 5789-1986	六角头法兰面螺栓	hexagon flange bolt	2	M8X30
2	YX730-0314000000	挂档杆	gear lever	1	
3	YX730-0310000000	挂档杆连接组件	gear lever link assy	1	
4	YX730-0311000000	挂档杆连接件档位限位弹簧	gear lever link spring for gear limit	1	φ1.2
5	YX730-0312000000	挂档杆连接件档位限位钢珠	gear lever link steel ball for gear limit	1	φ12
6	YX730-0316000000	挂挡板	gear plate	1	3MM
7	GB/T 5789-1986	六角头法兰面螺栓	hexagon flange bolt	4	M8X25
8	YX730-0303060000	机油口封盖	oil seal cover	1	
9	GB/T 93-1987	弹性垫圈	elastic washer	3	8
10	YX730-0303070000	进退拉线固定片	forward back cable fix plate	1	5MM
11	YX730-0303000000	齿轮箱上盖总成	gear box top cover assy	1	
12	YX730-0101000000	扶手安装座总成	handle mount assy	1	
13	YX730-0315000000	挂档杆固定弹簧	gear lever fixer spring	1	φ1.2
14	GB/T 5789-1986	六角头法兰面螺栓	hexagon flange bolt	2	M8X20
15	YX730-0313000000	挂档杆连接件隔套	gear lever link spacer	1	φ28X7
16	GB/T 13871.1-2007	骨架油封	skeleton oil seal	1	φ15Xφ28X7
17	GB/T 13871.1-2007	骨架油封	skeleton oil seal	1	φ15Xφ28X5
18	YX730-0301000000	齿轮箱部件	gear box part	1	
19	GB/T 5789--1986	六角头法兰面螺栓	hexagon flange bolt	3	M6X12
20	YX730-0317000000	观油口油封	oil seal for oil mouth	1	3MM
21	YX730-0308000000	进退拨叉连接件拉簧	forward back fork link tension spring	1	φ2.2
22	GB/T 898-1988	双头螺柱bm=1.25d M10X38.5	double stud bm=1.25d	8	bm=1.25d M10X38.5
23	YX730-0307000000	进退拨叉连接总成	forward back fork link assy	1	
24	YX730-0309000000	长拨叉臂	long fork arm	2	
25	YX730-0302090000	档位拨块	shift block	2	
26	GB/T 879.3-2000	弹性圆柱销卷制	Elastic cylindrical pin coiling	2	6X25
27	GB/T 276-2013	深沟球轴承	deep groove bearing	1	6202-2RS
28	YX730-0304000000	主轴离合从动齿轮29-11Z	Spindle clutch driven gear 29-11z	1	
29	YX730-0305000000	输出轴变速主动齿轮23-16-13z	Output shaft variable speed driving gear 23-1	1	

30	YX730-0306000000	输出轴进退离合齿轮38-16Z	Output shaft forward and backward clutch g	1	
31	YX730-0302000000	齿轮箱输出端盖总成	gear box output cover assembly	1	
32	GB/T 901-1988	双头螺柱M12X65	double stud M12X65	2	M12X65
33	GB/T 97.1-2002	平垫圈	flat washer	8	$\phi 8 \times \phi 18 \times 1.6$
34	GB/T 6182-2010	非金属嵌件六角锁紧螺母	Hexagon lock nut with non-metallic Insert	6	M8
35	GB/T889.2-2000	非金属嵌件六角锁紧螺母	Hexagon lock nut with non-metallic Insert	1	M8
36	GB/T119.2-2000	圆柱销8×18	cylindrical pin 8×18	2	8×18
37	GB/T 97.1-2002	平垫圈	flat washer	8	$\phi 14 \times \phi 21 \times 1$
38	YX730-0303090000	齿轮箱上盖纸垫	gear box top cover Paper pad	1	
39	YX730-0307020000	尼龙挡圈	nylon retaining ring	1	
40	YX730-0307030000	尼龙挡圈固定螺栓	nylon retaining ring fixing bolt	1	



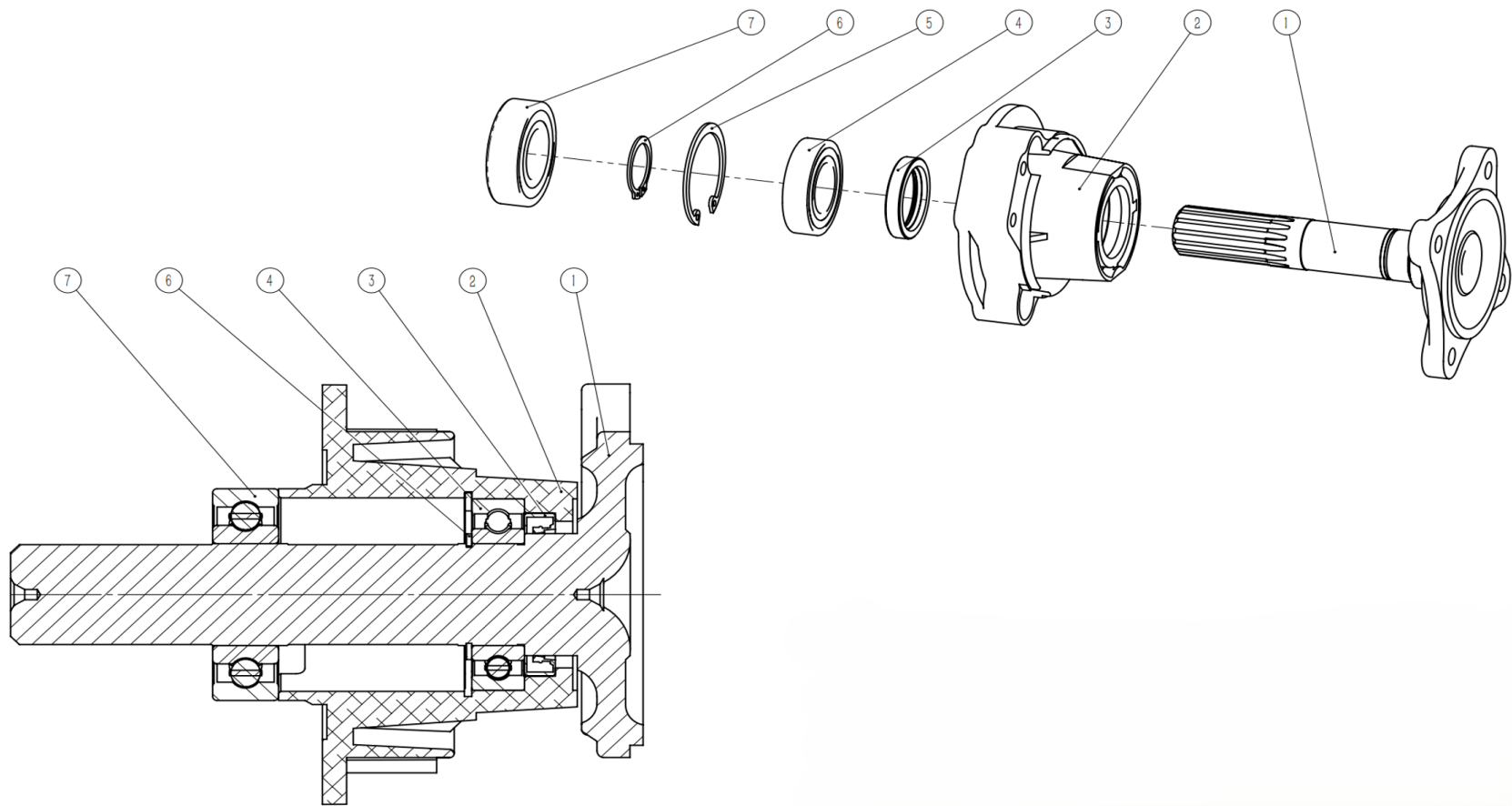
Serial No.	Item code	Item name in CN	Item name in EN	Qty	Specification
1	GB/T 889.2-2000	非金属嵌件六角锁紧螺母	Hexagon lock nut with non-metallic Insert	6	M8 thick
2	YX730-0301070000	轮毂座总成（右）	wheel base assy(right)	1	
3	YX730-0301020000	差速器总成	differential lock assy	1	
4	GB/T 898-1988	双头螺柱bm=2d 8x40	double-end stud bm=2d 8x40	6	bm-2d 8x40
5	YX730-0301010000	齿轮箱（730）	gear box	1	
6	GB/T 13871.1-2007	骨架油封	skeleton oil seal	3	φ14xφ22x5
7	JB/ZQ 4450-2006	外六角螺塞	Outer Hexagon Plug	1	M12X1.25
8	JB982-77	螺塞密封垫	plug gasket	1	12
9	YX730-0301030000	差速器离合花键齿18Z	differential lock clutch spline gear 18z	1	
10	YX730-0301040000	差速器花键轴套14-18z	Spline shaft sleeve 14-18z	1	
11	YX730-0301050000	差速器弹簧	differential lock spring	1	φ2.8MM
12	YX730-0301060000	轮毂座总成（左）	wheel base assy(left)	1	
13	GB/T 898-1988	双头螺柱bm=2d M8x60	double-end stud bm=2d 8x60	2	bm=2d m8x60
14	GB/T 898-1988	双头螺柱bm=2d M8x72	double-end stud bm=2d 8x72	4	bm=2d m8x72
15	YX730-0301080000	蜗杆	worm shaft	1	
16	GB/T 893.1-1986	孔用弹性挡圈A型	elastic retaining ring (for hole)	1	52厚2.0内卡
17	YX730-0301090000	主轴从动齿轮38Z	spindle driven gear 38z	1	
18	GB/T 894.1-1986	轴用弹性挡圈A型	A type elastic retaining ring (for shaft)	1	25外卡
19	GB/T 276-2013	深沟球轴承	deep groove bearing	2	6205-2RS
20	YX730-0301100000	轮毂座密封垫	wheel base gasket	2	
21	YX730-0301110000	轴承垫片52	bearing spacer 52	1	φ41Xφ51.5X0.2



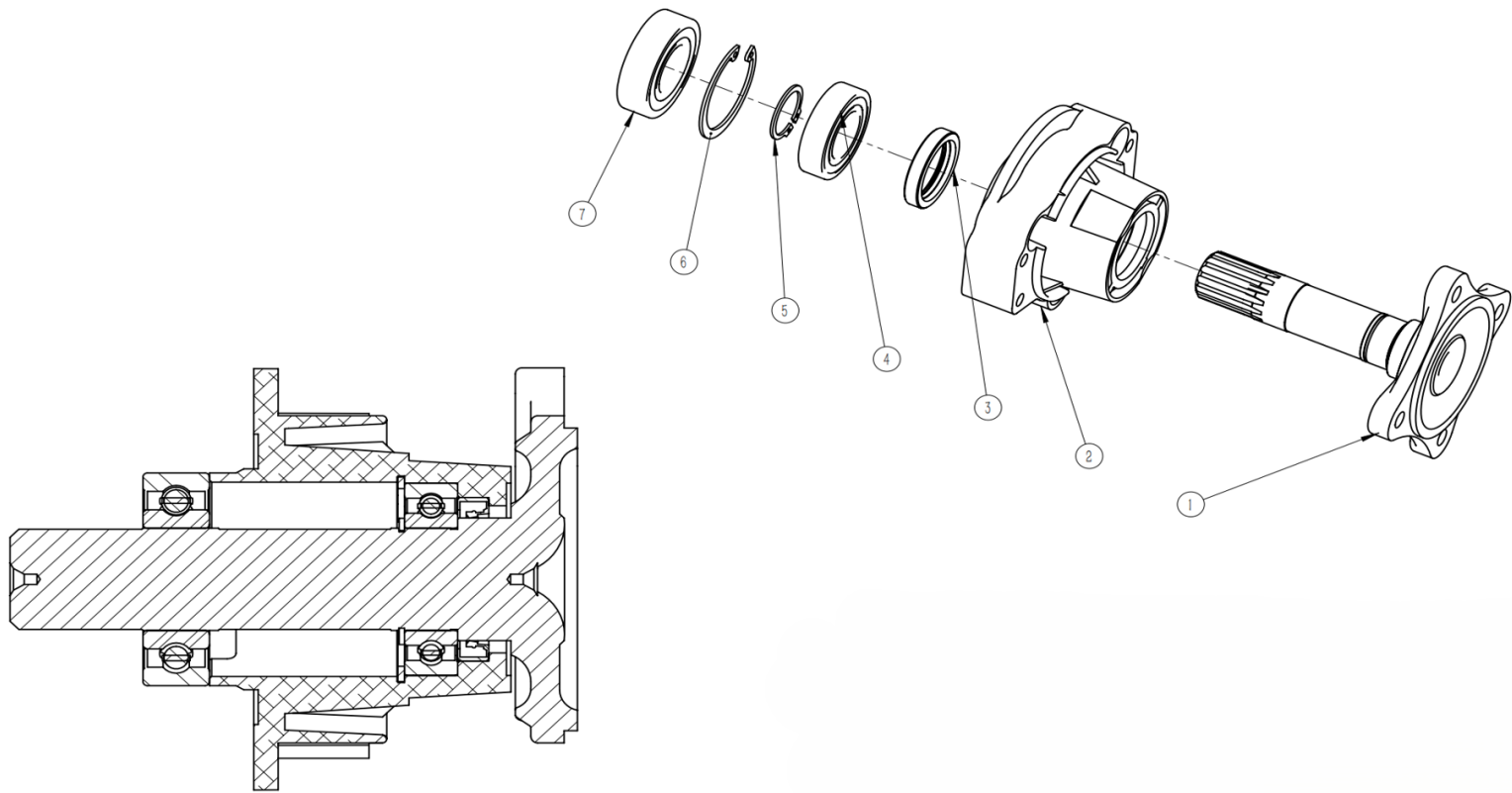


Serial No.	Item code	Item name in CN	Item name in EN	Qty	Specification
1	YX730-0301020500	差速器端盖（左）	differential lock cover (left)	1	
2	YX730-0301020400	差速器锥齿轮（大）	differential lock bevel gear (big)	2	

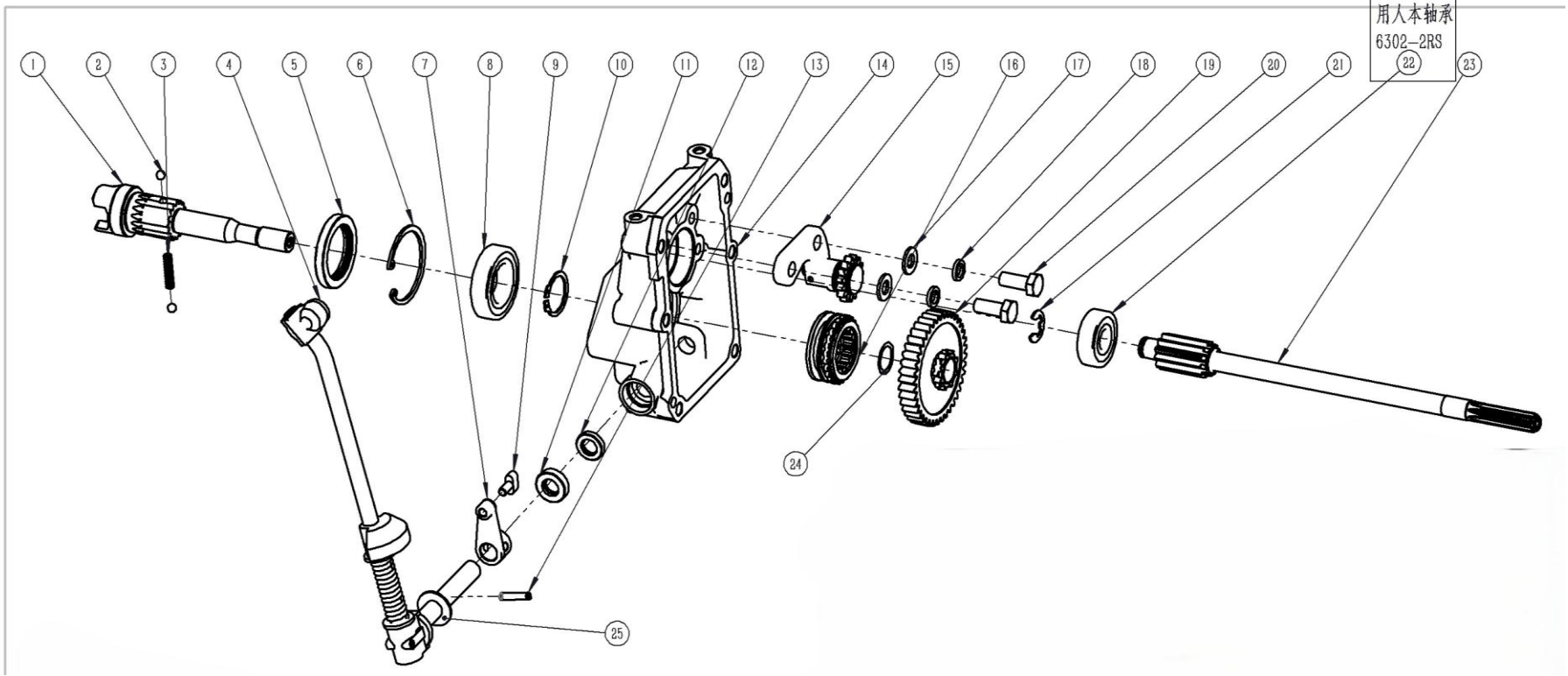
3	YX730-0301020100	差速器涡轮	differential lock turbine	1	
4	YX730-0301020200	差速器轴	differential lock shaft	1	φ14
5	YX730-0301020300	差速器锥齿轮（小）	diffenential lock bevel gear (small)	2	
6	YX730-0301020600	差速器端盖（右）	differential lock cover (right)	1	
7	GB/T 867-1986	半圆头铆钉	Semi-round head rivet	8	8x36



Serial No.	Item code	Item name in CN	Item name in EN	Qty	Specification
1	YX730-0301060100	轮毂座（左）	wheel base (right)	1	
2	YX730-0301060200	齿轮箱轮毂座连接盘	wheel base connector	1	
3	GB/T 13781.1-2007	骨架油封	skeleton oil seal	1	φ30Xφ40X7
4	GB/T 276-2013	深沟球轴承	Deep groove ball bearing	1	6005-2RS
5	GB/T 893.1-1986	孔用弹性挡圈	A type elastic retaining ring (for shaft)	1	47
6	GB/T 894.1-1986	轴用弹性挡圈A型	elastic retaining ring (for hole)	1	25
7	GB/T 276-2013	深沟球轴承	Deep groove ball bearing	1	6205-2RS

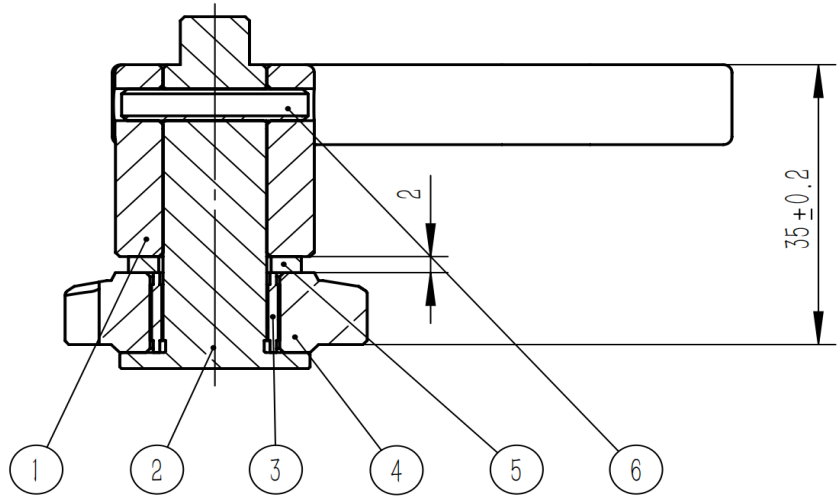
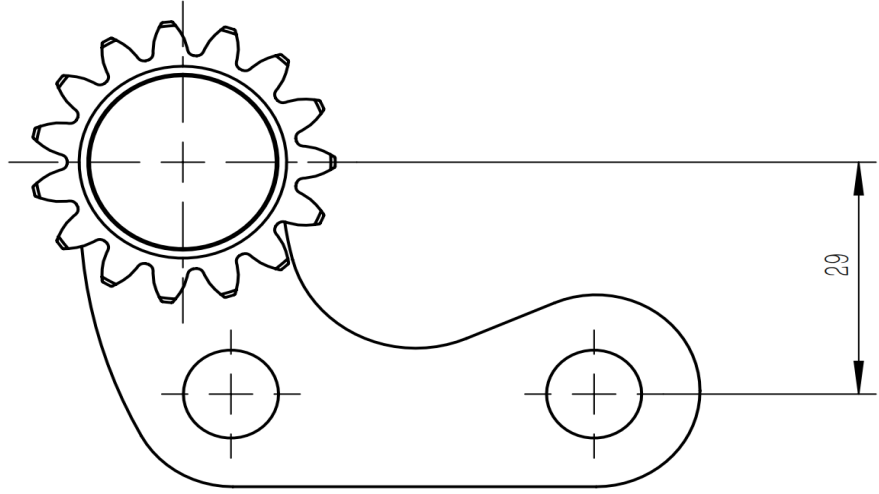


Serial No.	Item code	Item name in CN	Item name in EN	Qty	Specification
1	YX730-0301070100	轮毂座（右）	wheel base (right)	1	
2	YX730-0301060200	齿轮箱轮毂座连接盘	wheel base connector	1	
3	GB/T 13871/1-2007	骨架油封	skeleton oil seal	1	φ30Xφ40X7
4	GB/T 276-2013	深沟球轴承	Deep groove ball bearing	1	6005-2RS
5	GB/T 894.1-1986	轴用弹性挡圈A型	A type elastic retaining ring (for shaft)	1	25
6	GB/T 893.1-1986	孔用弹性挡圈	elastic retaining ring (for hole)	1	47
7	GB/T 276-2013	深沟球轴承	Deep groove ball bearing	1	6205-2RS

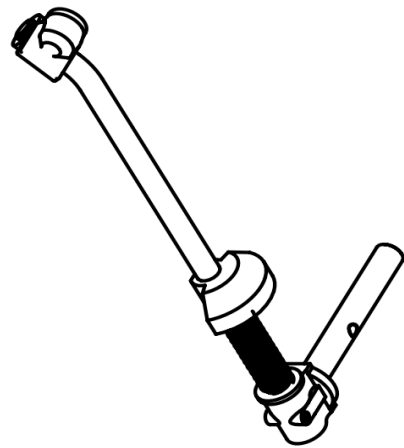
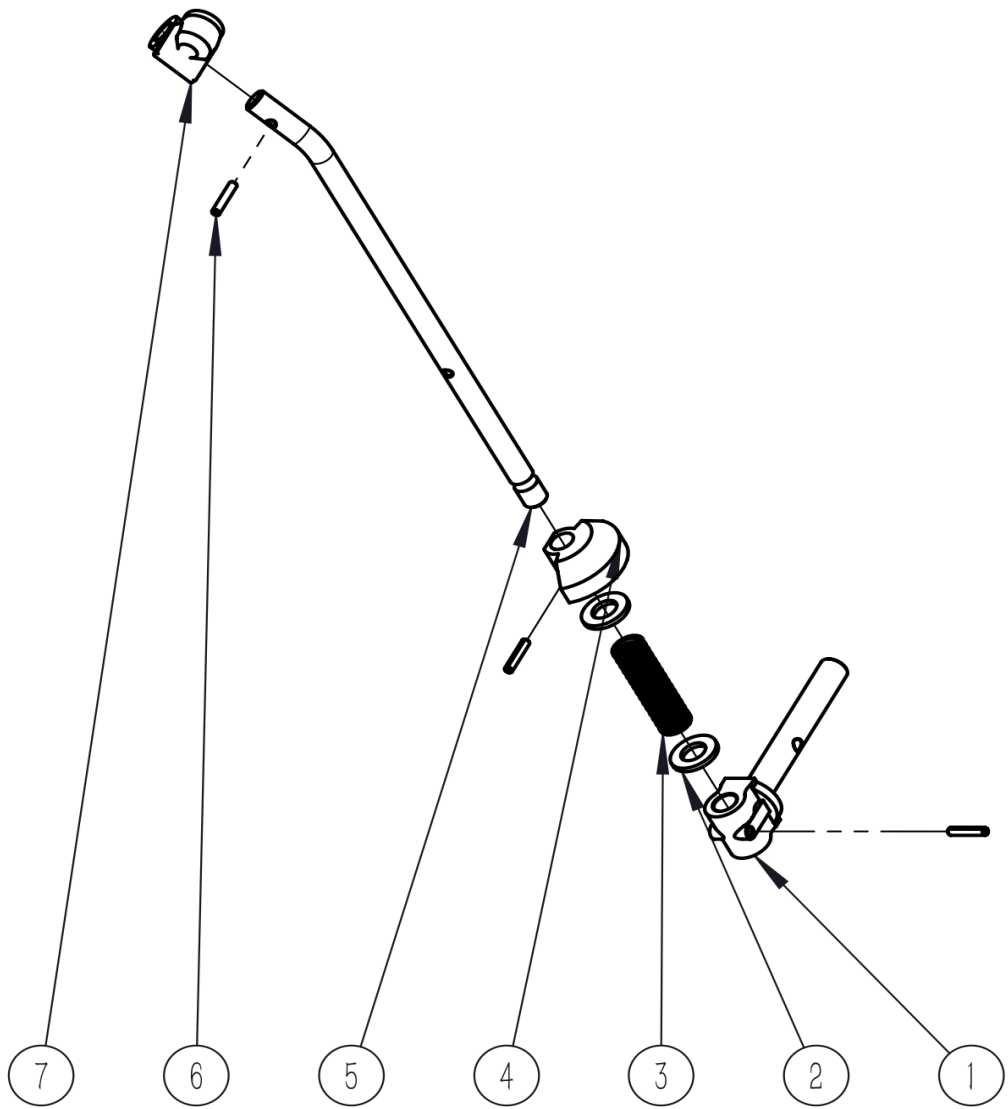


Serial No.	Item code	Item name in CN	Item name in EN	Qty	Specification
1	YX730-03020400	输出轴	Output shaft	1	
2	GB/T 308-2002	钢珠	Steel ball	2	φ6.35
3	YX730-03021000	输出离合限位弹簧	Output clutch limit spring	1	φ1.2
4	YX730-0302070000	输出离合连接总成	output clutch link assy	1	
5	GB / T 13871.1-2007	骨架油封	Oil seal	1	φ38×φ55×7
6	GB / T 893.1-1986	孔用弹性挡圈A型	Hole circlip type A	1	55
7	YX730-0302080000	短拨叉臂	Short fork arm	1	
8	GB / T 276-2013	深沟球轴承	Deep groove ball bearing	1	6006-2RS
9	YX730-03020900	档位拨块	Gear shift block	1	
10	GB / T 894.1-1986	轴用弹性挡圈A型	Shaft circlip type A	1	30
11	GB / T 13871.1-2007	骨架油封	Oil seal	1	φ14×φ22×5
12	GB / T 13871.1-2007	骨架油封	Oil seal	1	φ14×φ25×7
13	GB / T 879.3-2000	弹性圆柱销 卷制 重型	Elastic cylindrical pin	1	6x20
14	YX730-0302010000	齿轮箱输出端盖	gear box output cover	1	
15	YX730-0302020000	过桥齿轮总成	carrier gear assy	1	
16	YX730-0302050000	输出轴离合齿轮25-16Z	output shaft clutch gear 25-16Z	1	
17	GB/T 97.1-2002	平垫圈	flat washer	2	φ10Xφ20X2
18	GB/T 93-1987	标准型弹性垫圈	standard elastic washer	2	10
19	YX730-0302060000	输出轴从动齿轮40-25-16Z	output shaft driven gear 40-25-16Z	1	
20	GB/T 5783-2000	六角头螺栓 全螺纹	hexagon bolt full thread	2	M10X25
21	GB/T 896-1986	开口挡圈	open retainer ring	1	12
22	GB/T 276-2013	深沟球轴承	Deep groove ball bearing	1	6302-2RS
23	YX730-0302030000	主轴	main shaft	1	
24	YX730-0302110000	轴承垫片18	bearing shim	1	φ18.3Xφ24X0.2
25	GB/T 97.1-2002	平垫圈	flat washer	1	φ14Xφ28X1.5

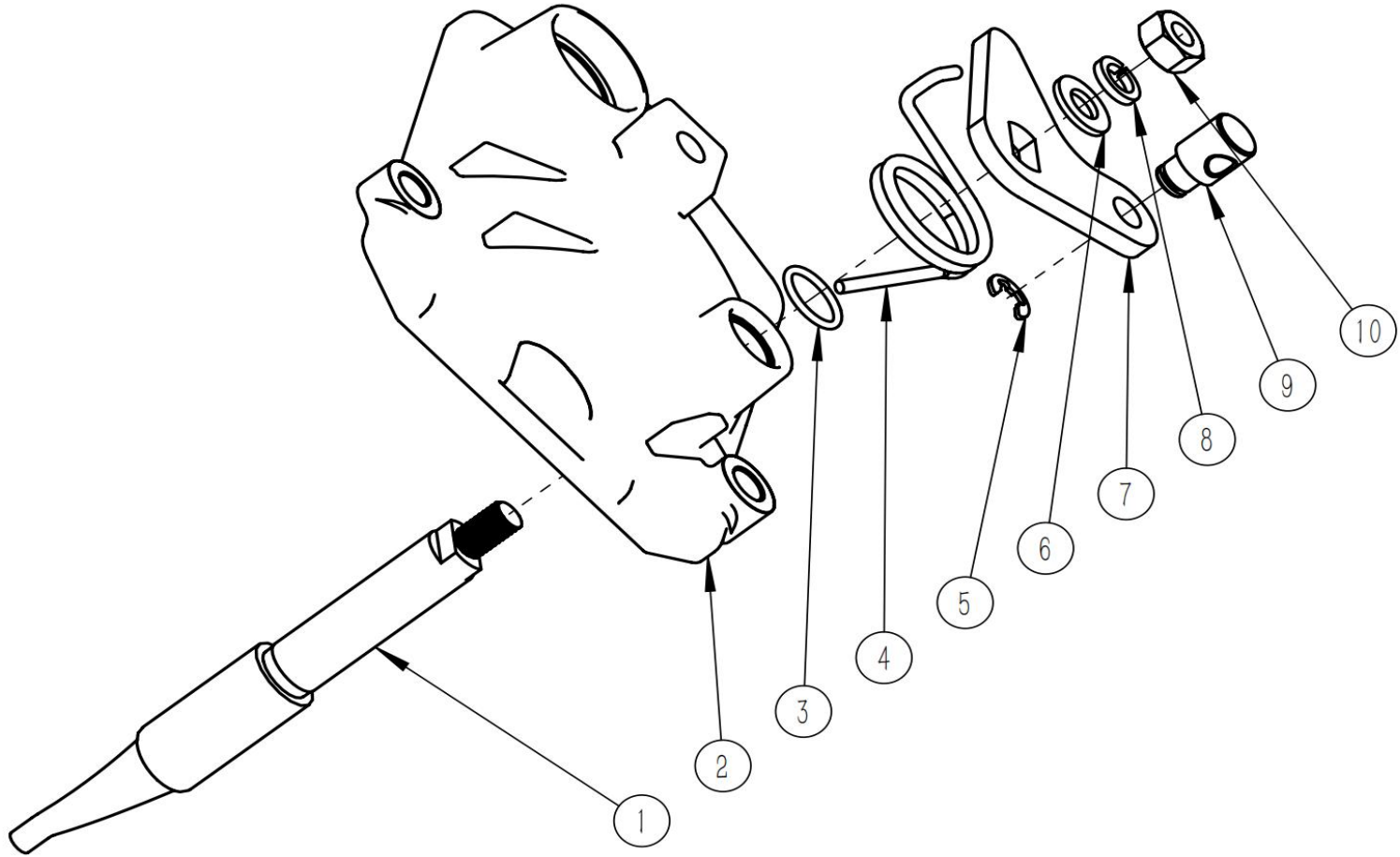




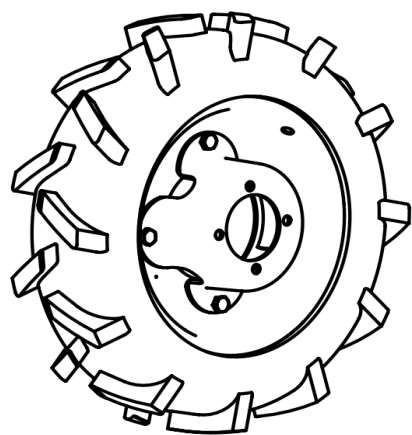
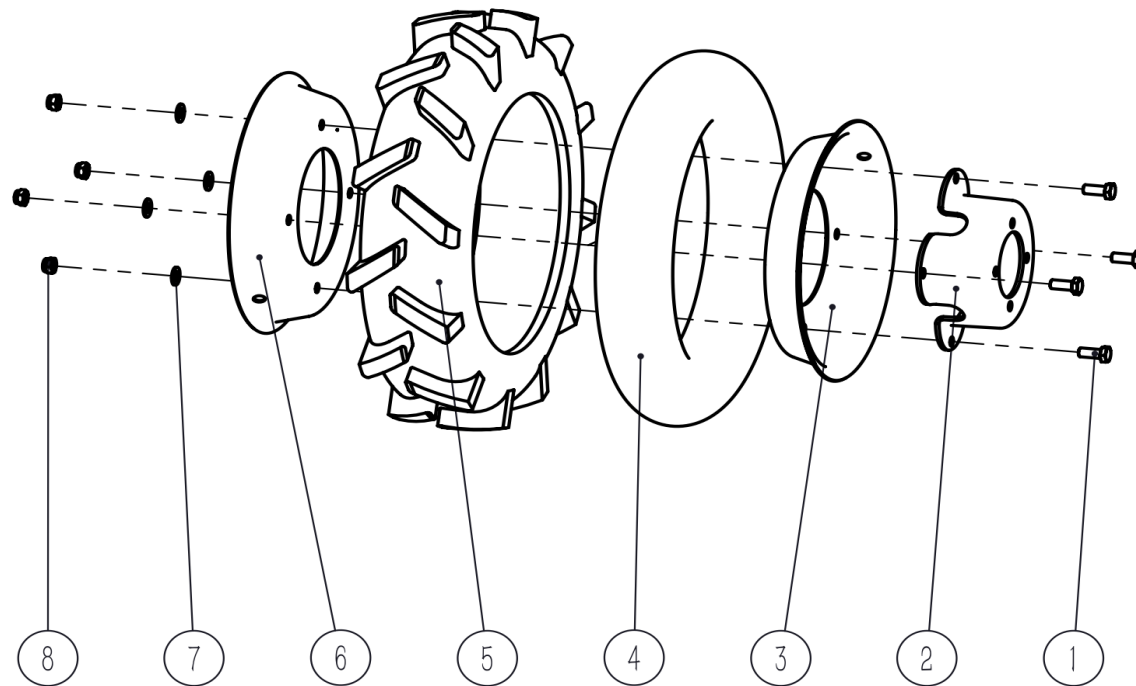
Serial No.	Item code	Item name in CN	Item name in EN	Qty	Specification
1	YX730-0302020100	过桥齿轮座	carrier gear base	1	
2	YX730-0302020200	过桥齿轮轴	carrier gear shaft	1	
3	JB/T 7918-1997	向心滚针滚动轴承	Radial needle roller bearings	1	K12X15X10
4	YX730-0302020300	过桥齿轮15Z	carrier gear 15z	1	
5	YX730-0302020400	过桥齿轮轴垫片	carrier gear shaft washer	1	$\phi 12.2 \times \phi 20 \times 2$
6	GB/T879.1-2000	弹性圆柱销 直槽	Elastic cylindrical pin (straight groove)	1	4X22



Serial No.	Item code	Item name in CN	Item name in EN	Qty	Specification
1	YX730-0302070100	输出导向杆	output rod	1	
2	GB/T 97.1-2002	12平垫圈	12 flat washer	2	φ12Xφ24X2.5
3	YX730-0302070400	输出连接杆弹簧	output link spring	1	φ1.5
4	YX730-0302070300	输出导向杆连接杆限位座	output rod link space limit fixer	1	
5	YX730-0302070200	输出导向杆连接杆	output rod lever	1	
6	GB/T 879.1-2000	弹性圆柱销直槽	Elastic cylindrical pin (straight gr	3	4X22
7	YX730-0302070500	输出操纵杆连接件	output joystick link	1	



Serial No.	Item code	Item name in CN	Item name in EN	Qty	Specification
1	YX730-0303020000	差速器拨杆	differential lever	1	
2	YX730-0303010000	齿轮箱上盖	gear box top cover	1	
3	GB/T 3452.1-2005	O型橡胶密封圈	O type rubber ring	1	14X1.8
4	YX730-0303040000	差速器拨杆扭簧	differential lever torsion spring	1	φ3
5	GB/T 896-1986	开口挡圈	open retainer ring	1	6
6	GB/T 97.1-2002	平垫圈	flat washer	1	φ8.4Xφ16X1.6
7	YX730-0303030000	差速器拨叉扭转片	differential fork plate	1	5MM
8	GB/T 93-1987	弹性挡圈	elastic retaining ring	1	8
9	YX730-0303050000	差速器拉线固定扣	differential lock cable fixer	1	
10	GB/T 6170-2000	六角螺母	hexagon bolt	1	M8

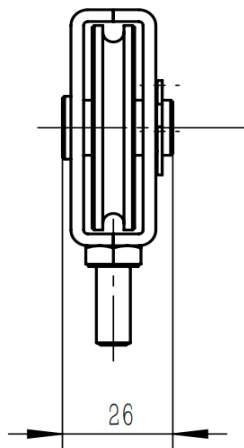
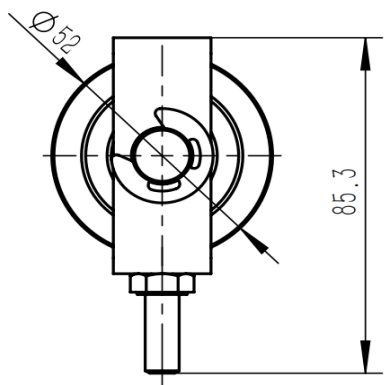
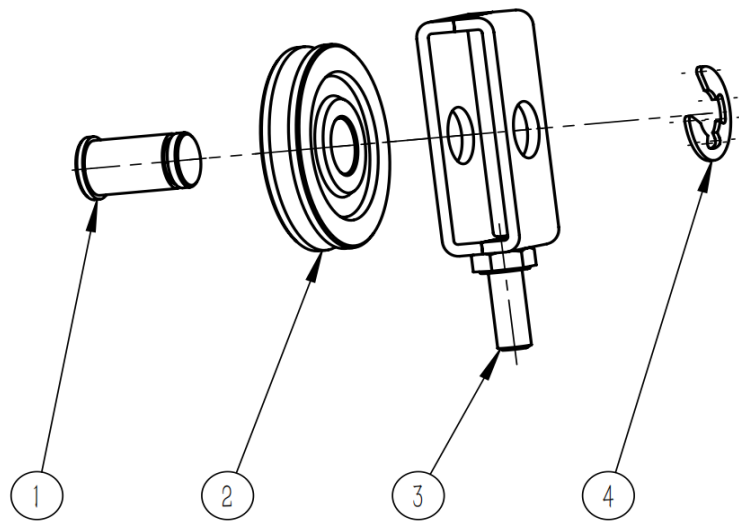


技术要求:

1. 轮胎总成右与轮胎总成左只是轮胎花纹相反, 其它一样;
2. 内胎气压2.0 bar。

Serial No.	Item code	Item name in CN	Item name in EN	Qty	Specification
1	GB/T 5783-2000	六角头螺栓 全螺纹12.9级	Hexagon bolt full thread 12.9class	4	M10X25
2	YX730-0402000000	轮胎连接盘	wheel connector	1	4MM
3	YX730-0401010000	轮毂	rim	1	
4	YX730-0401030000	内胎	tube	1	
5	YX730-0403000000	外胎	out tyre	1	5.00-10
6	YX730-0401020000	轮毂（带孔）	rim (with hole)	1	
7	GB/T 97.1-2002	10平垫圈	10 flat washer	4	φ10Xφ20X2
8	GB/T 6182-2010	非金属嵌件六角锁紧螺母	Hexagon lock nut with non-metallic Insert	4	M10





<b>Serial No.</b>	<b>Item code</b>	<b>Item name in CN</b>	<b>Item name in EN</b>	<b>Qty</b>	<b>Specification</b>
1	YX730-01090900	离合拉线滑轮固定轴	pulley shaft of clutch cable	1	
2	YX730-01090700	离合拉线滑轮	pulley of clutch cable	1	
3	YX730-01090800	离合拉线滑轮座组件	pulley fixer	1	
4	GB/T 896-1986	开口挡圈	open retainer ring	1	12