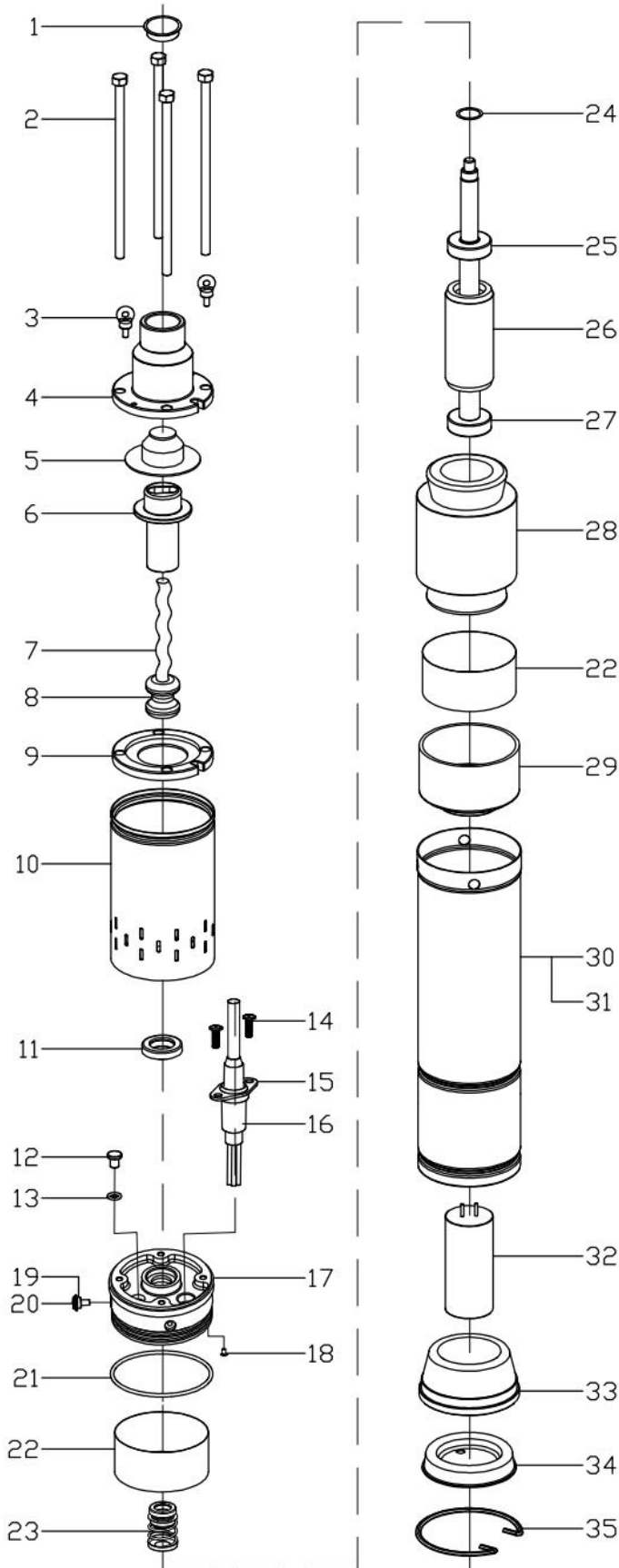


QGD



NO.	DESCRIPTION
1	Outlet cover
2	Bolt
3	Hanger
4	Delivery
5	Water bag
6	Screw sheath
7	Working screw
8	
9	Plate
10	Pump pipe
11	Gasket
12	Screw
13	O-ring
14	Screw
15	Cable plate
16	Cable
17	Oil cylinder
18	Screw
19	Screw
20	Locking ring
21	"O" ring
22	Insulation paper
23	Mechanical seal
24	Adjust gasket (Optional accessories)
25	bearing(upper)
26	Rotor
27	bearing(down)
28	Copper coil
29	Bearing seat
30	Motor pipe
31	Motor oil
32	Capacitor
33	Rubber cup
34	End cover
35	Clamping spring